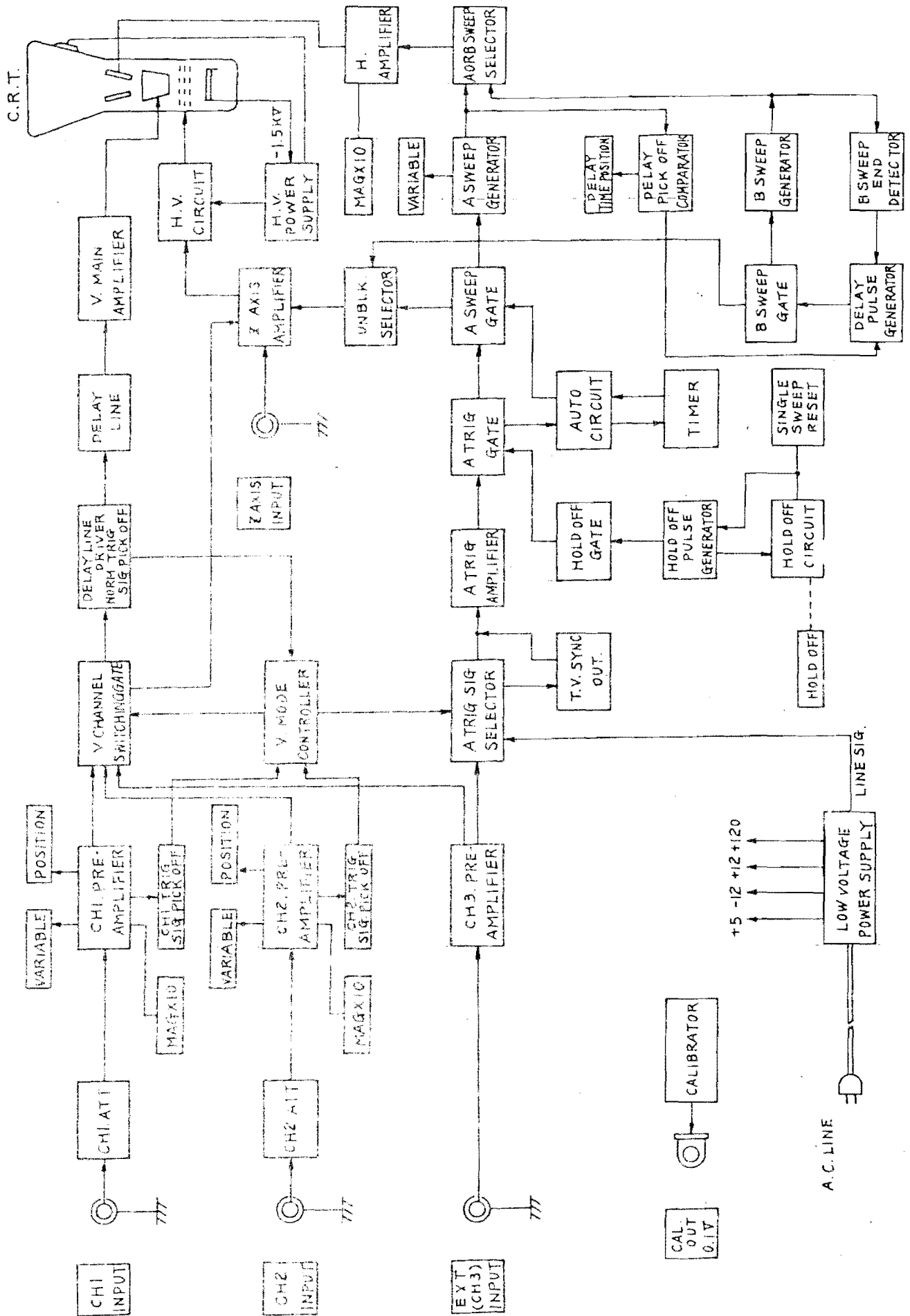


SECTION 4 DIAGRAMS



VP-5234A/S BLOCK DIAGRAM

4G-88-5097

# VP-5234A/S    CIRCUIT DIAGRAMS

OVERALL INTERCONNECTION	(A1)	-----	1
CH1 INPUT & ATTENUATOR	(A2)	-----	2
CH2 INPUT & ATTENUATOR	(A3)	-----	3
V PRE AMP	(A5) - (1)    (A14)	-----	4
TRIGGER PRE AMP	(A5) - (2)	-----	5
V OUT AMP	(A6) - (1)	-----	6
V SWITCHING	(A4)    (A5) - (3)    (A7) - (1)	-----	7
TRIGGER AMP	(A7) - (2)    (A13) - (1)	-----	8
A.B SWEEP	(A7) - (3)    (A9) - (1)	-----	9
A.B TIMING	(A8)    (A10)    (A11)	-----	10
H OUT AMP & CALIBRATOR	(A5) - (4)    (A7)    (A8)    (A10)    (A13)	-----	11
CRT & Z AXIS	(A5) - (5)    (A12) - (1)	-----	12
POWER SUPPLY	(A5) - (6)    (A12) - (2)    (A13)    (A16)	-----	13
SAMPLING (OPTION)	(A17)	-----	14

## NOTES

WHEN THE CIRCUIT IS DIVIDED INTO SOME UNITS AND AN IDENTIFYING NUMBER IS ASSIGNED TO EACH UNIT REFERENCE DESIGNATORS IN EACH CIRCUIT DIAGRAM ARE GIVEN IN ABBREVIATED FORM. PREFIX WITH EACH IDENTIFYING NUMBER FOR COMPLETE DESCRIPTION.

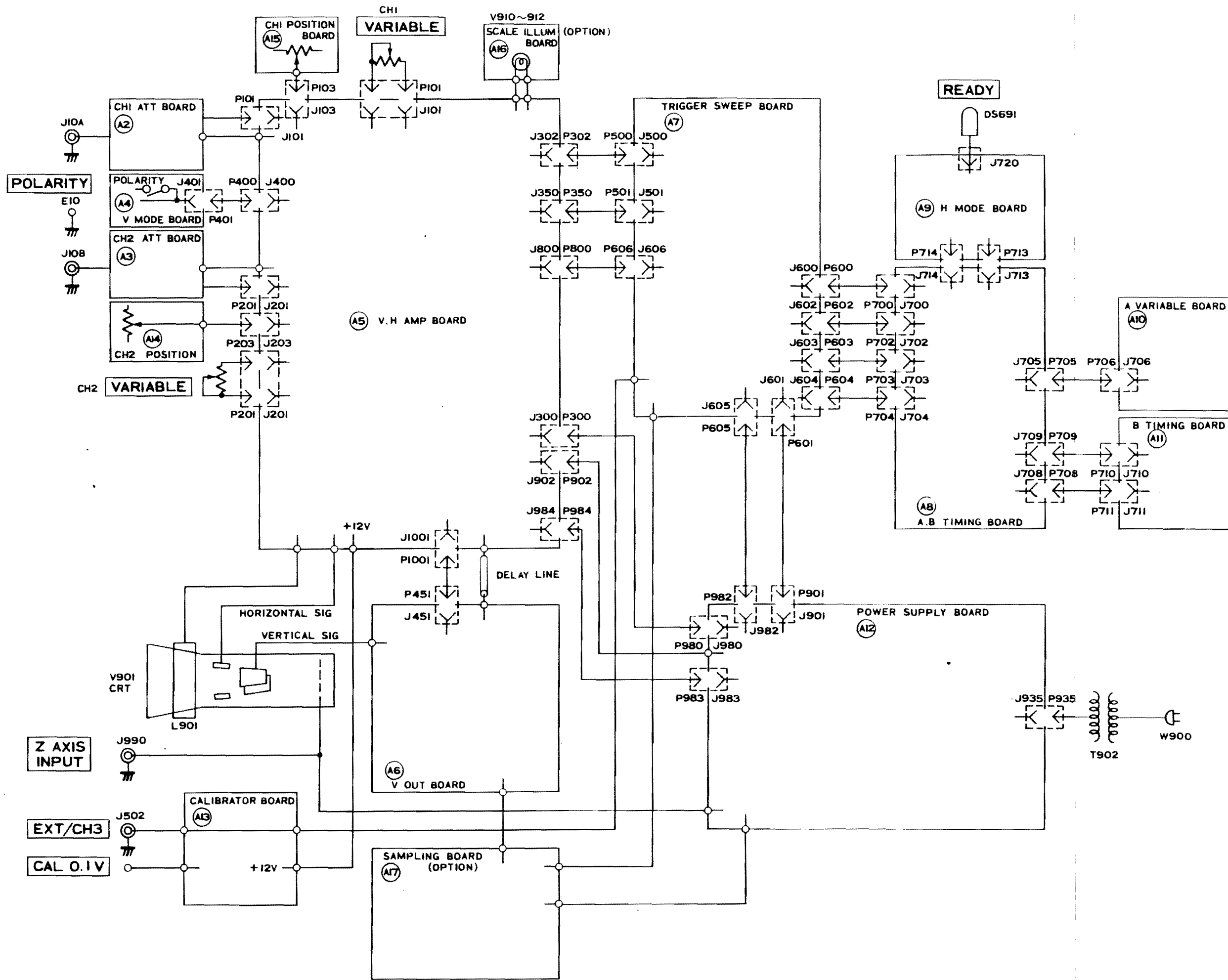
EXAMPLES: A101, A6R3

RESISTANCE VALUES IN OHMS AND CAPACITANCE IN PICOFARADS (FROM 1 TO 9,999) OR MICROFARADS (FROM 0.01 TO 0.99) UNLESS OTHERWISE NOTED.

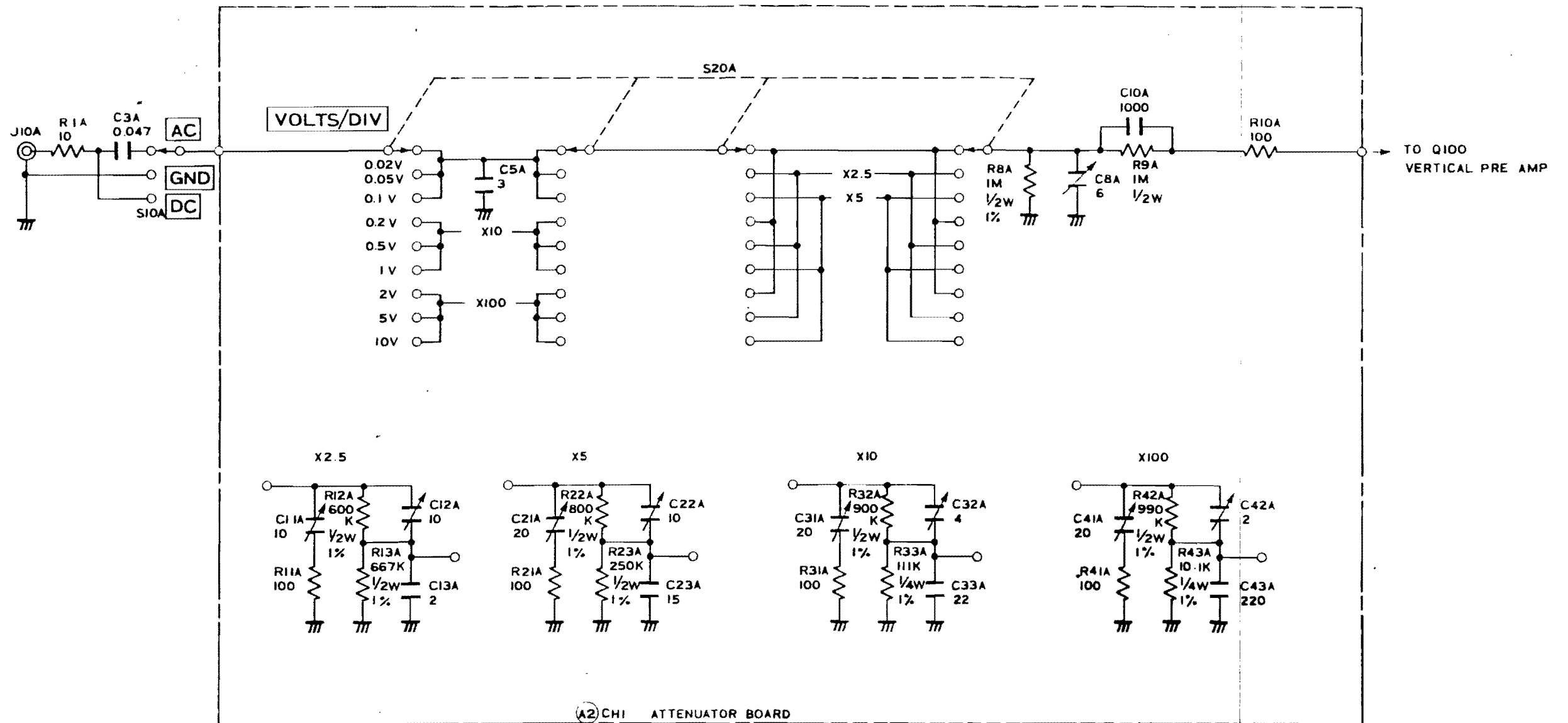
POWER RATING AND RESISTANCE TOLERANCES OF FIXED RESISTORS ARE 1/8 WATTS AND  $\pm 5\%$  UNLESS OTHERWISE NOTED.

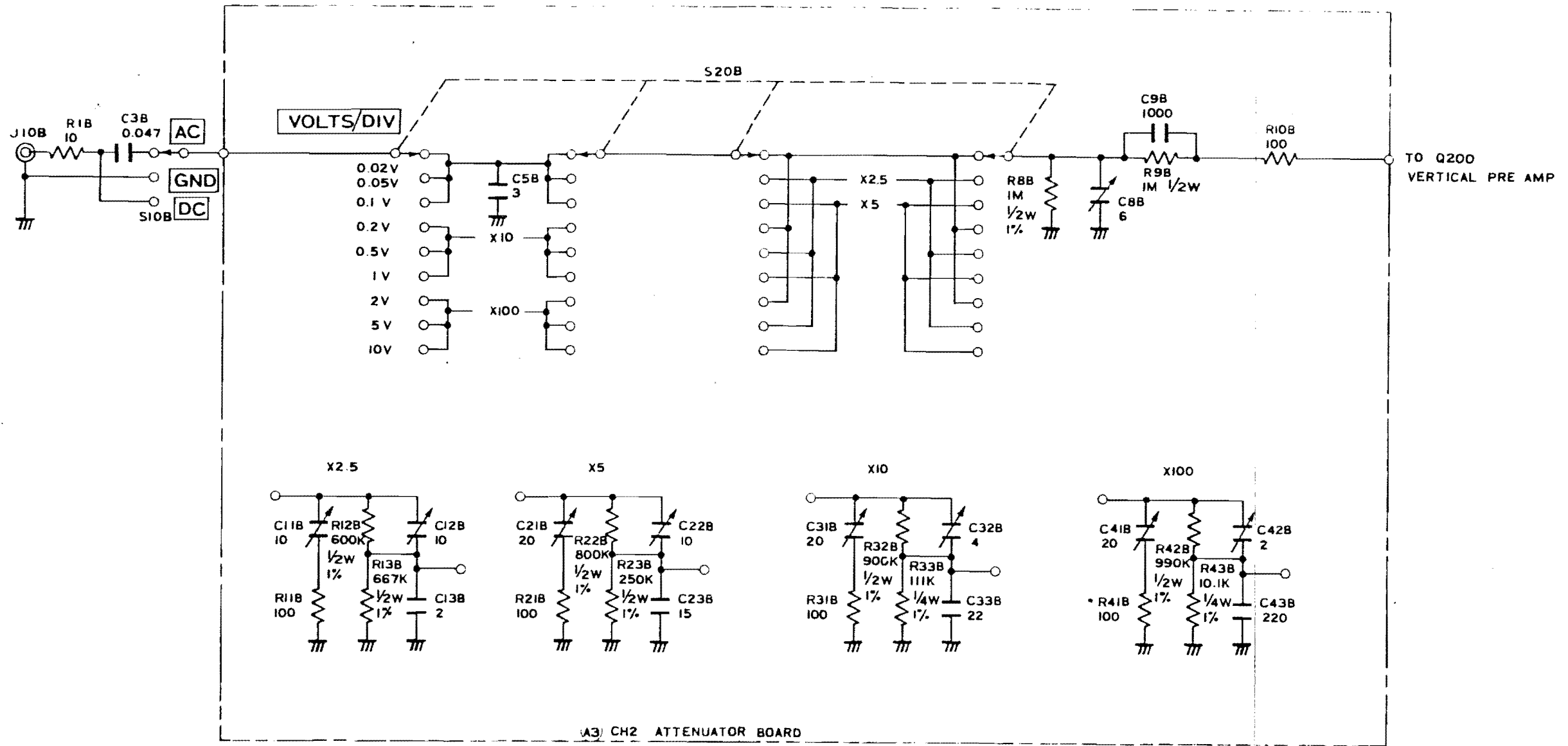
\* FACTORY REWORKED OR CHECKED COMPONENTS.

\* VALUE SELECTED AT FACTORY. NOMINAL VALUE SHOWN.

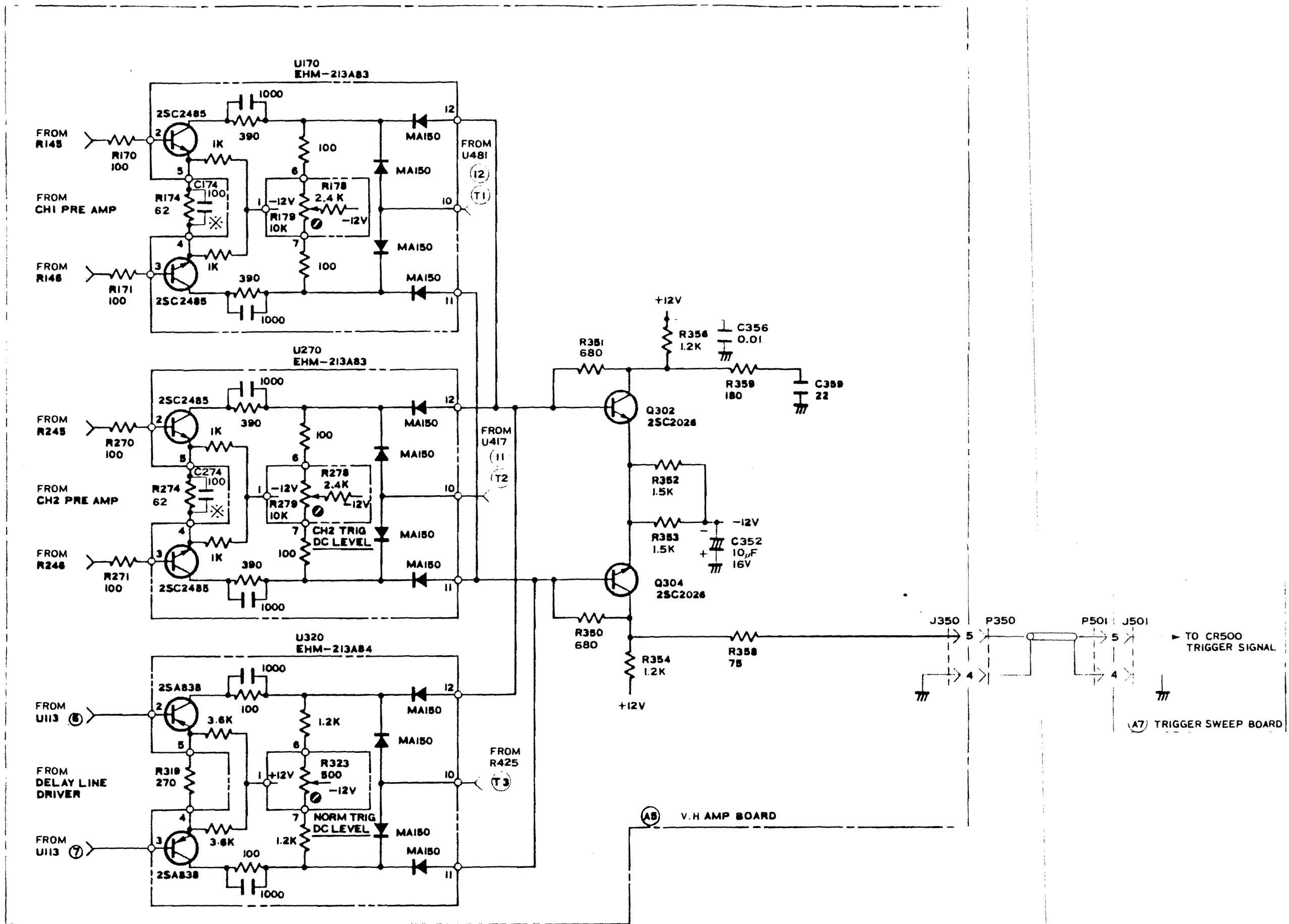


OVERALL INTERCONNECTION (A1)

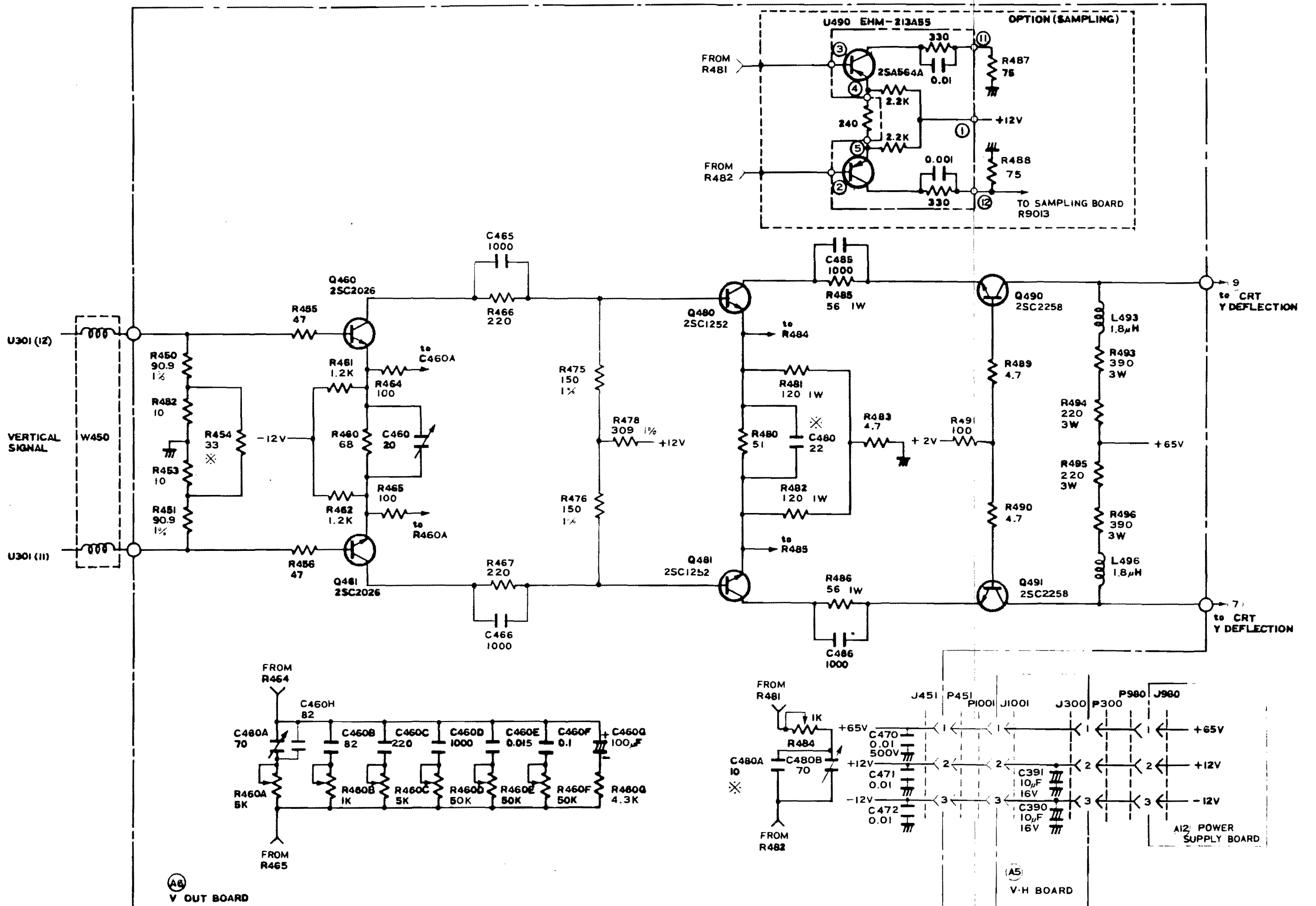




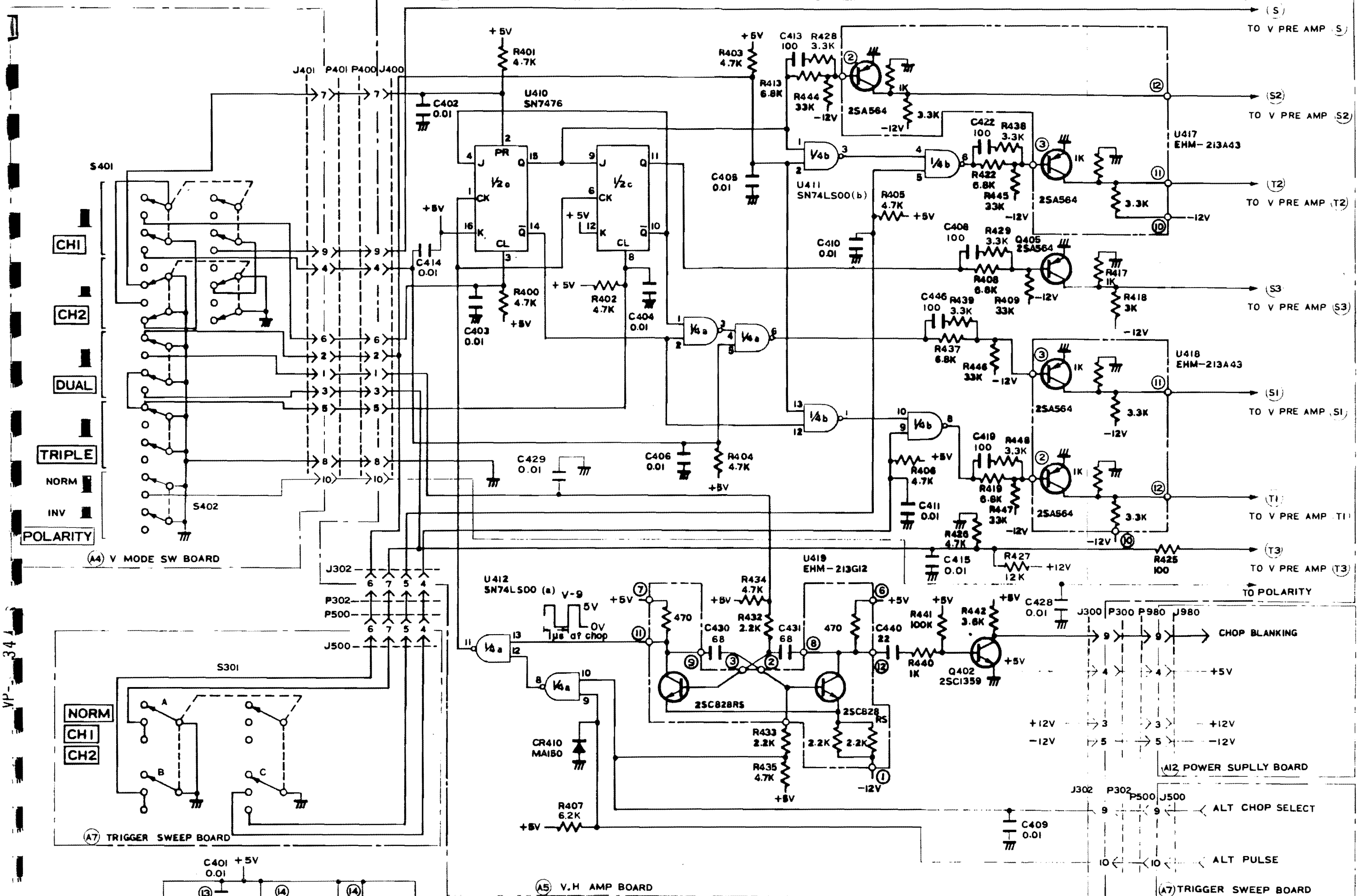




TRIGGER PRE AMP (A5) (2)







(A4) V MODE SW BOARD

(A7) TRIGGER SWEEP BOARD

(A5) V.H AMP BOARD

(A2) POWER SUPPLY BOARD

(A7) TRIGGER SWEEP BOARD

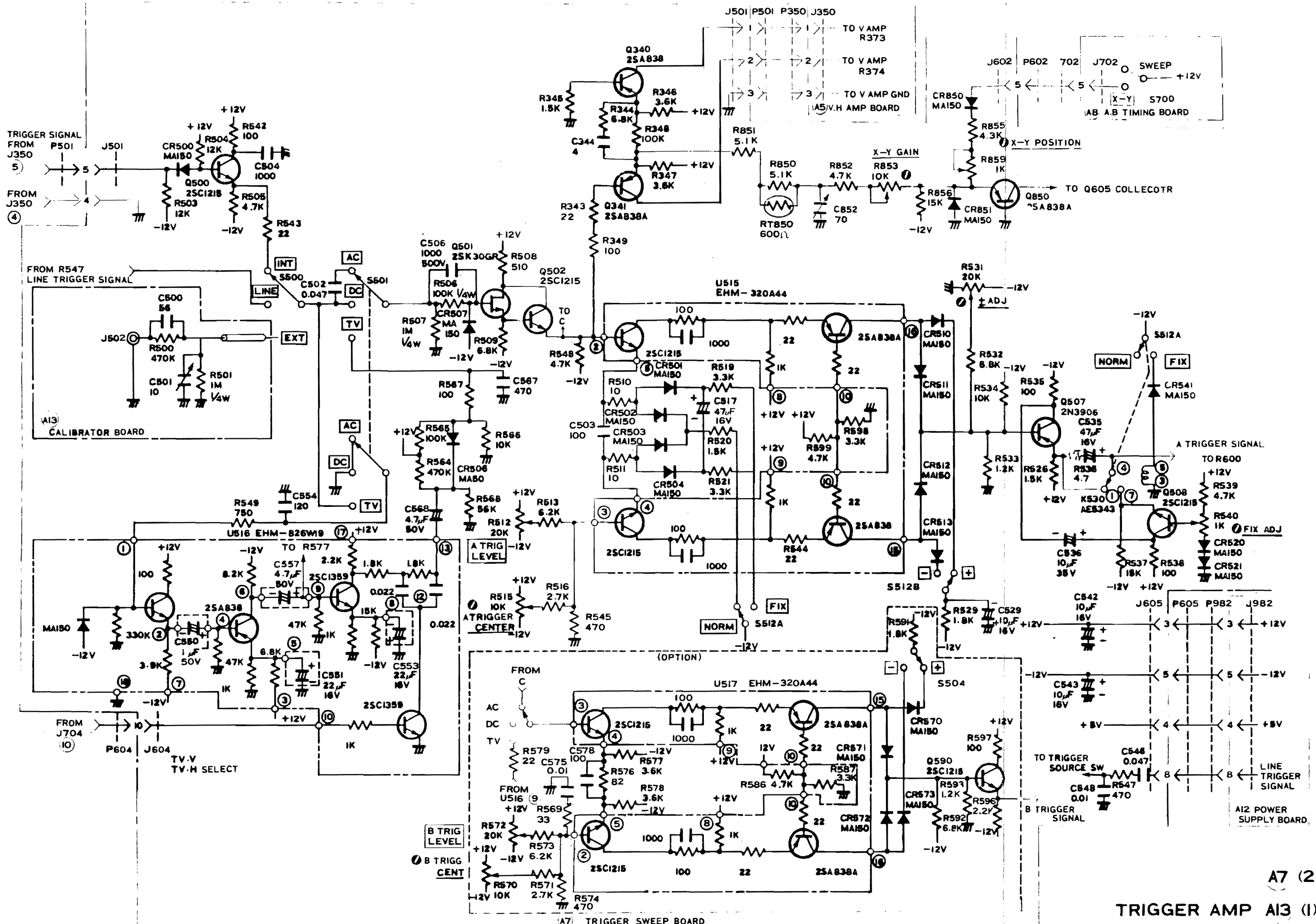
V SWITCHING

(A4)

(A5) (3)

(A7) (1)

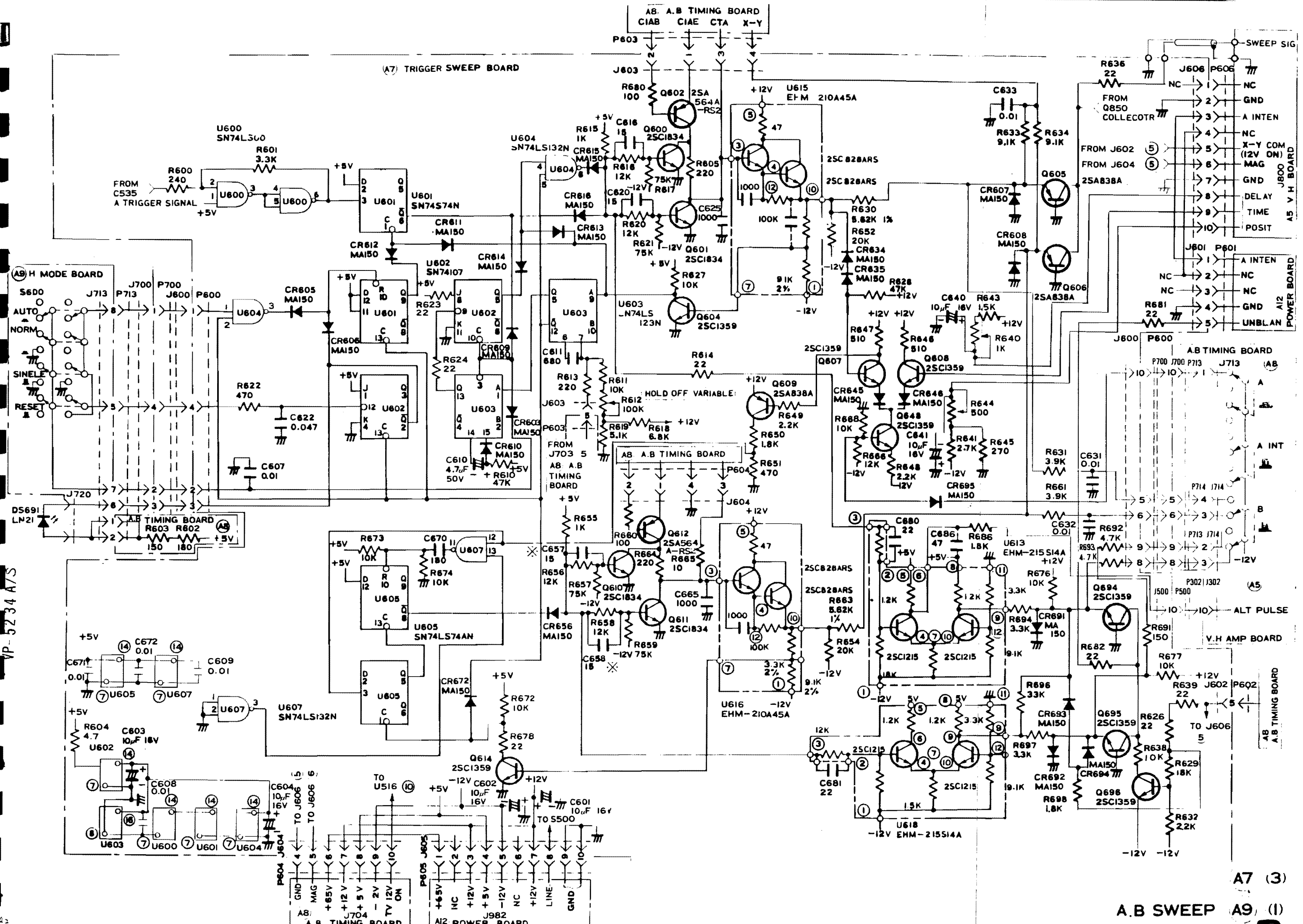
7



VP 34

A7 (2)  
 TRIGGER AMP AI3 (1)

(A7) TRIGGER SWEEP BOARD

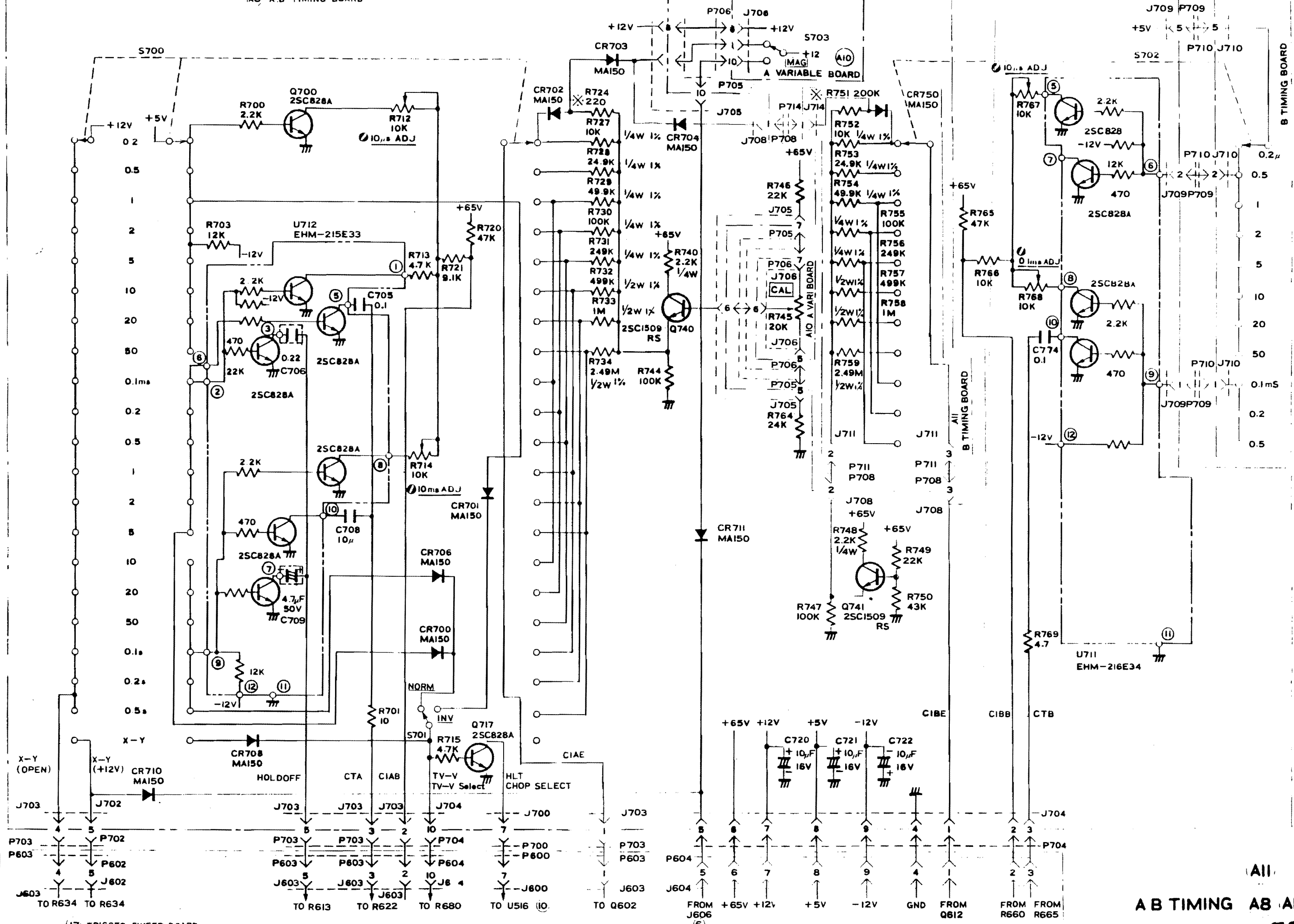


VP-5234 A/S

A7 (3)

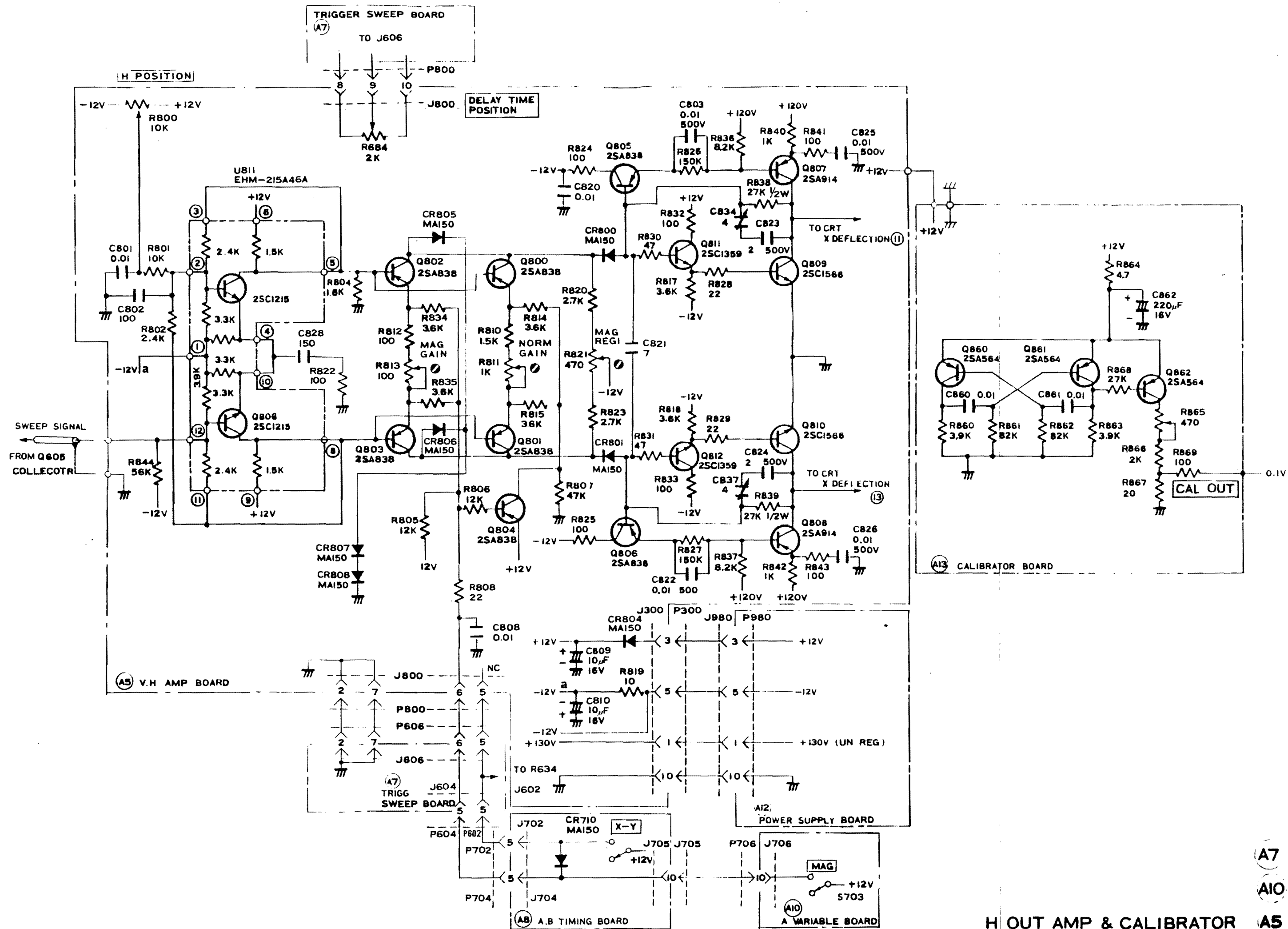
A.B SWEEP A9 (1)

AB A.B TIMING BOARD



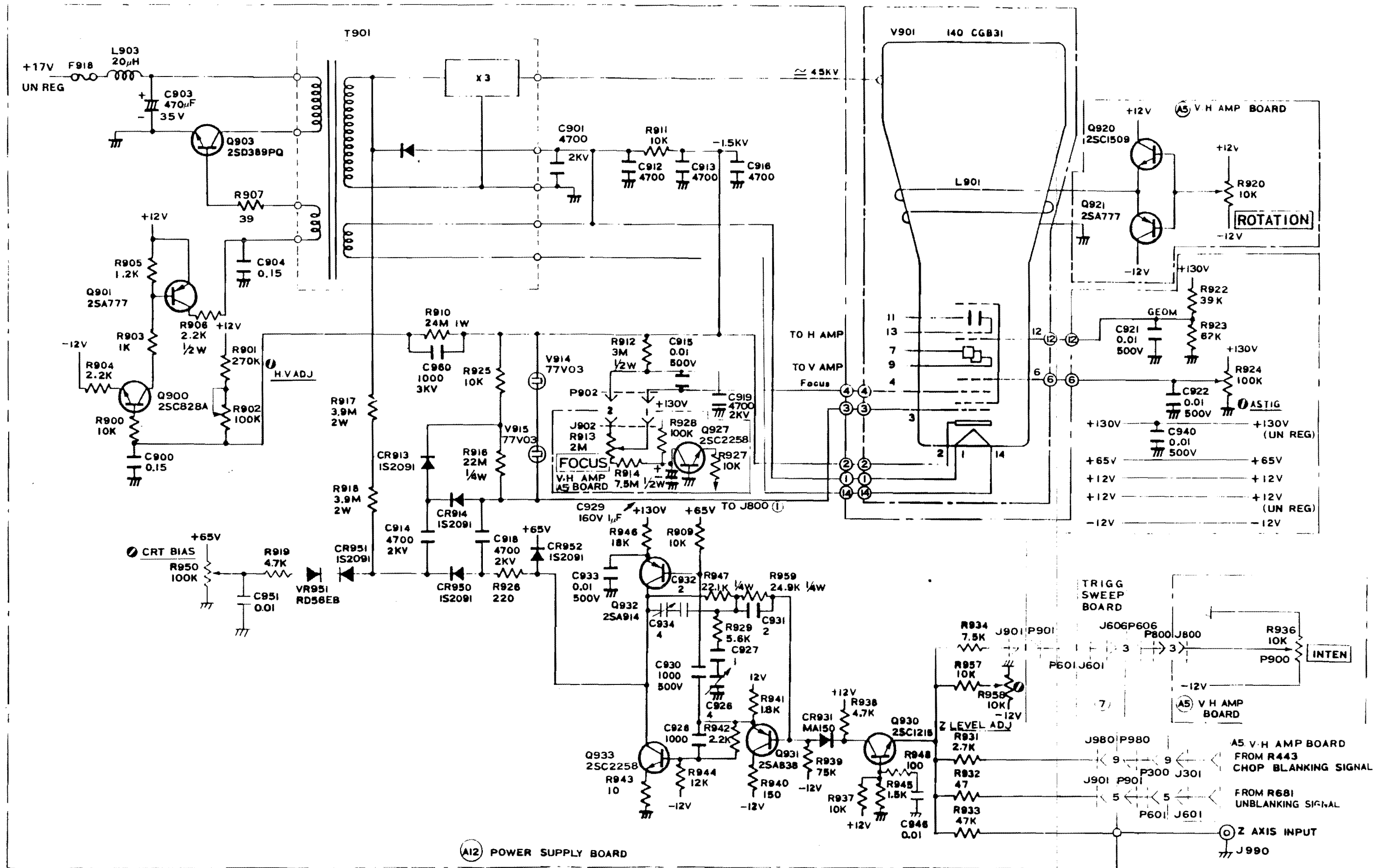
(A7) TRIGGER SWEEP BOARD

AB TIMING AB AIO



H OUT AMP & CALIBRATOR

(A7) (A8)  
(A10) (A13)  
(A5) (4)  
**11**



A5 (5)

CRT & Z AXIS A12 (1)



