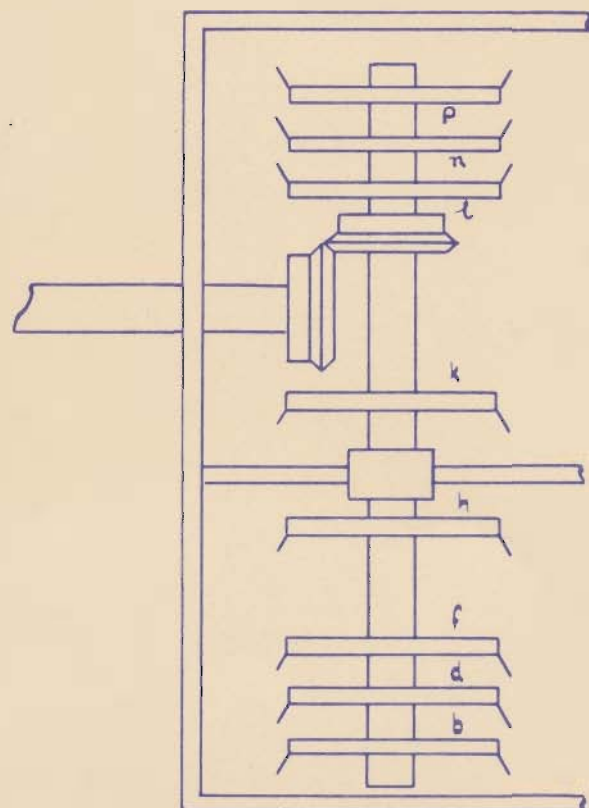
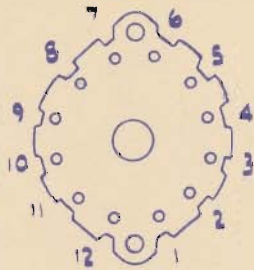


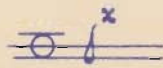
A

B

C

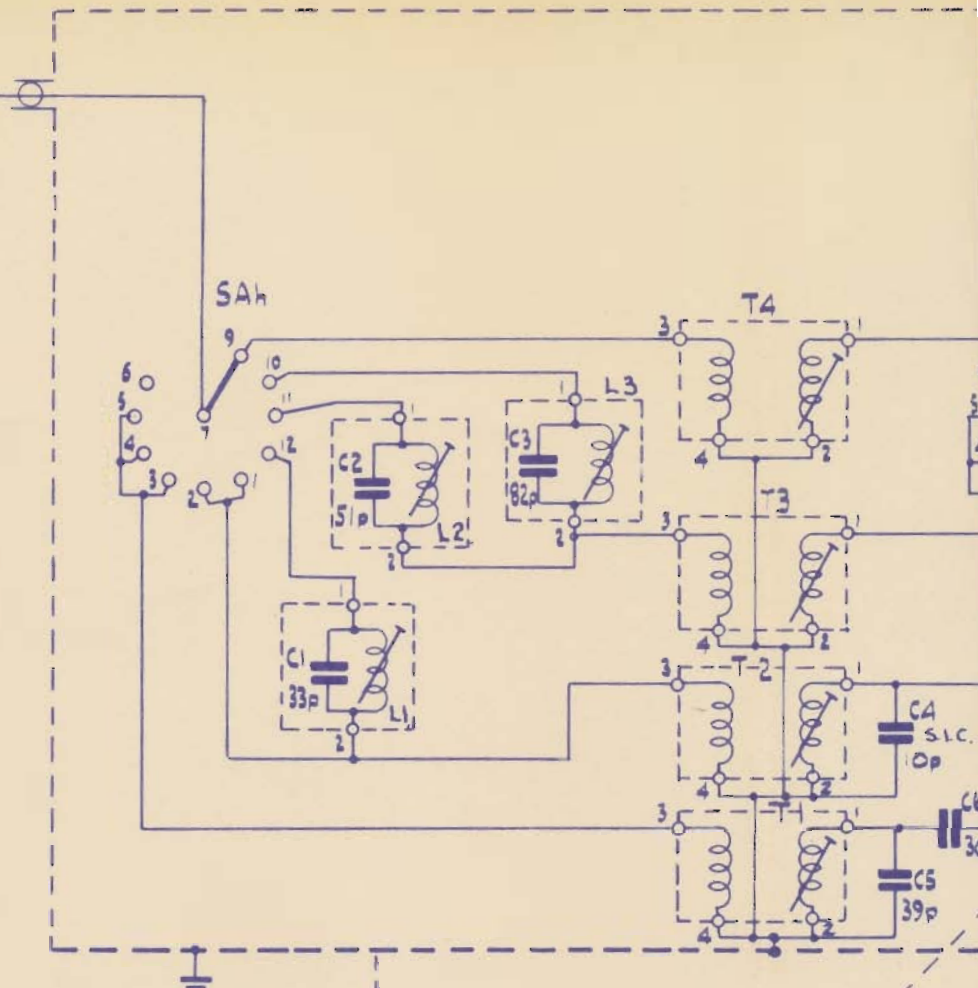
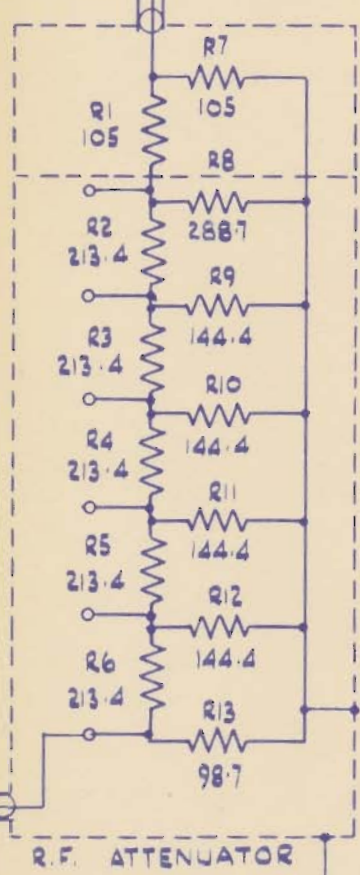


WIRING

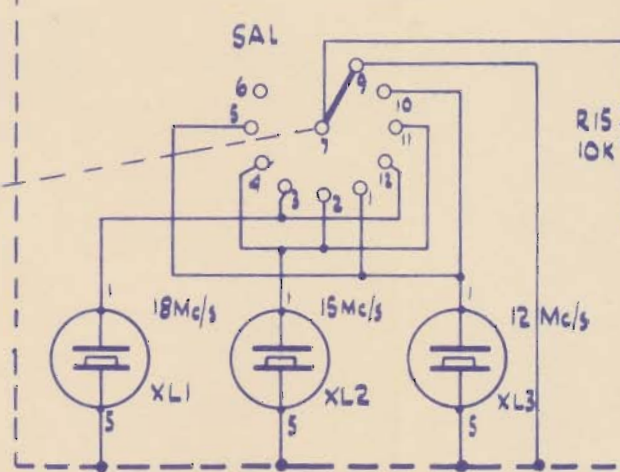
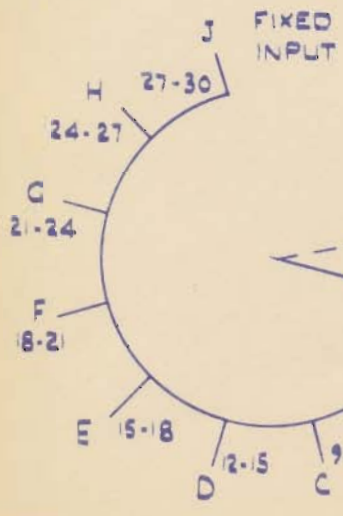
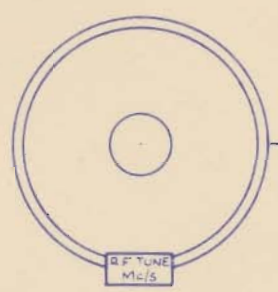
UR70 CO-AX CABLE SHOWN THUS 
 HEATERS TO BE WIRED IN TC20700/1 14/.0076
 ALL OTHER WIRING TO BE TC20700/20 7/.0076

TITLE FREQUENCY CHANGER I

DRAWN P.H. BAKER	DATE 7-60	CHKD. <i>JPD</i>	APPD.	TRCD. E.M.T.	ASSEMBLY TE 34770	STOCK LIST TM 6556	DRAWING NUMBER XD 33961
MARCONI INSTRUMENTS LTD.							SHEET 1 OF 1 SHEETS
A			B			C	

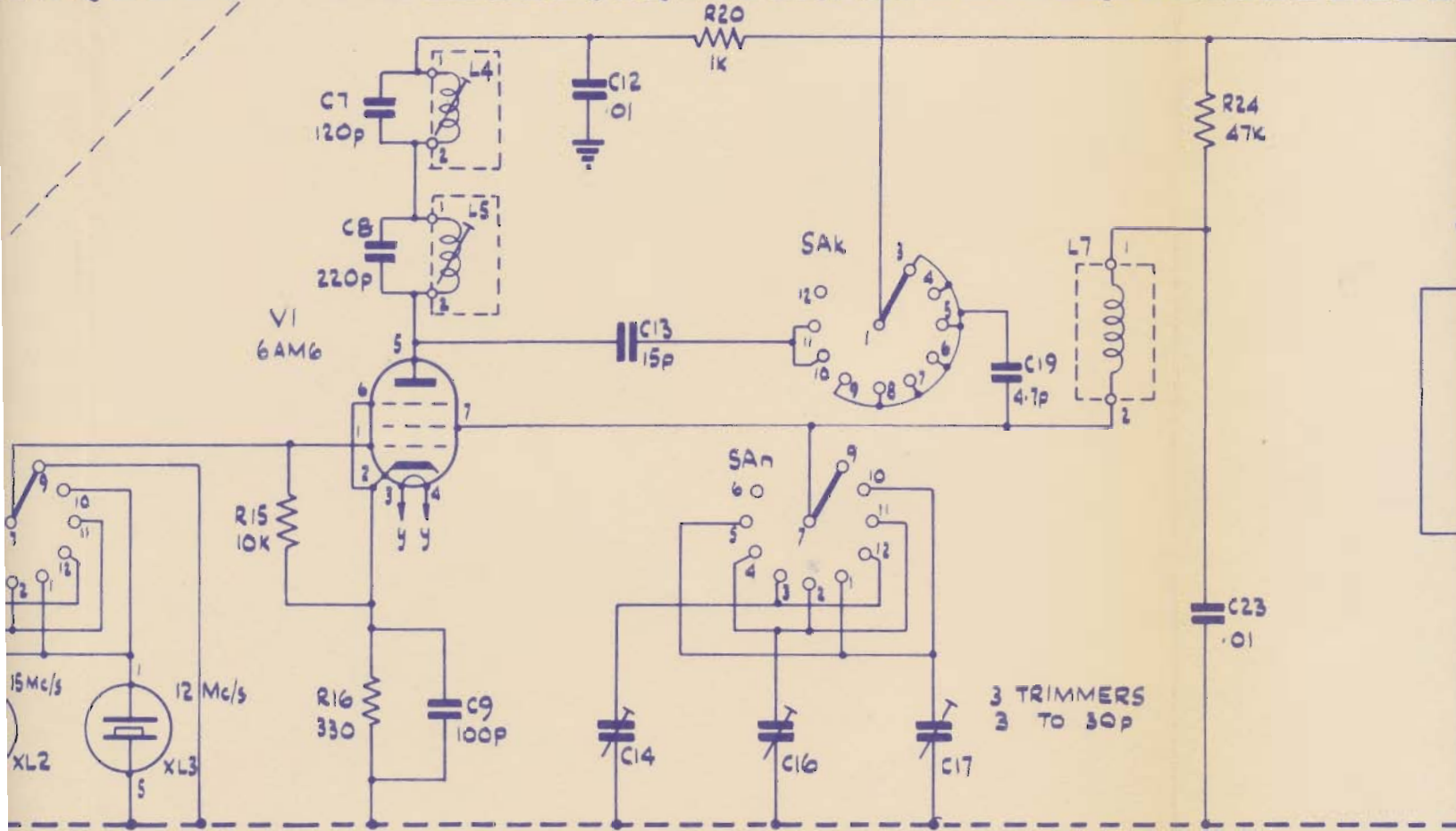
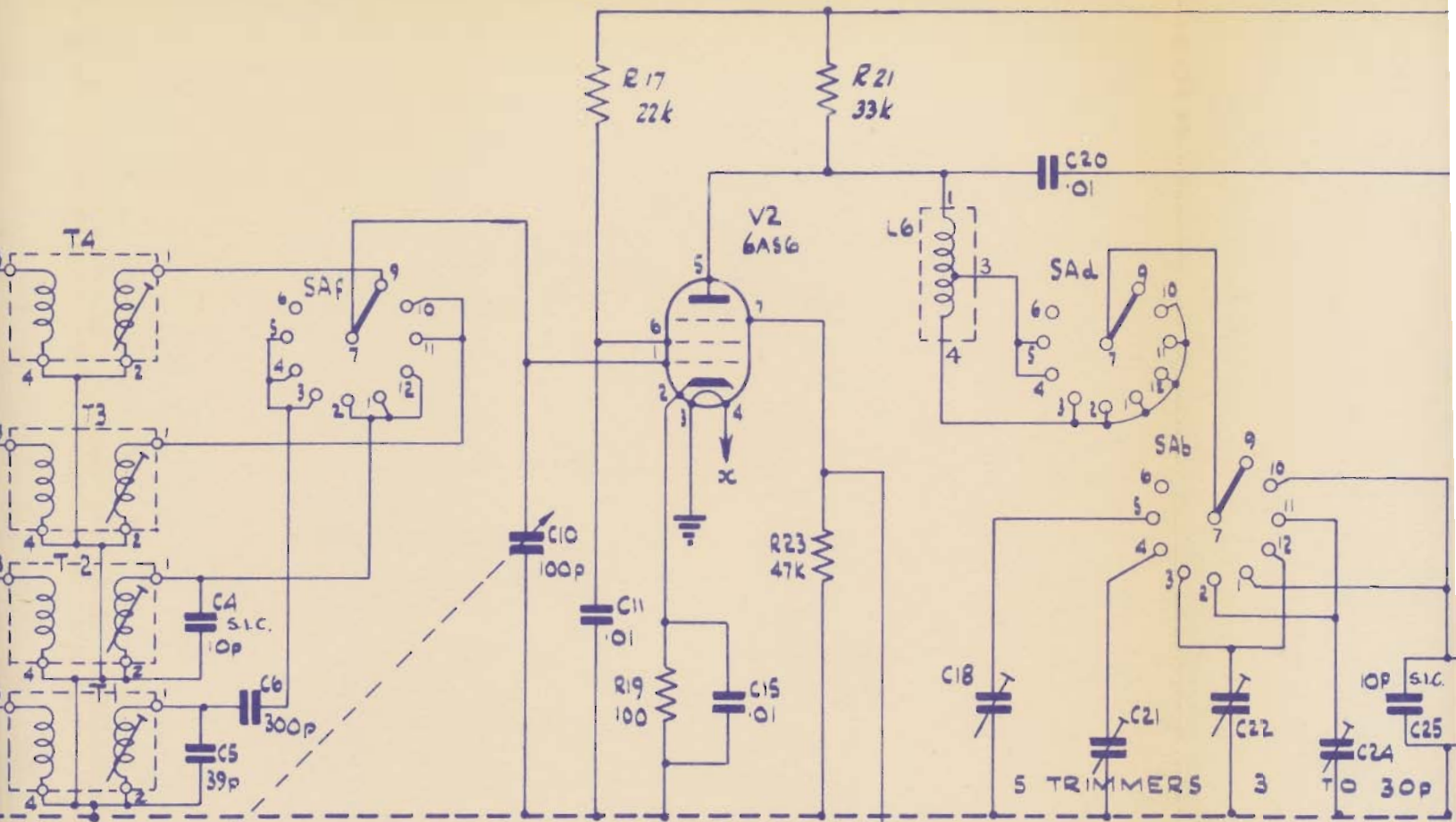


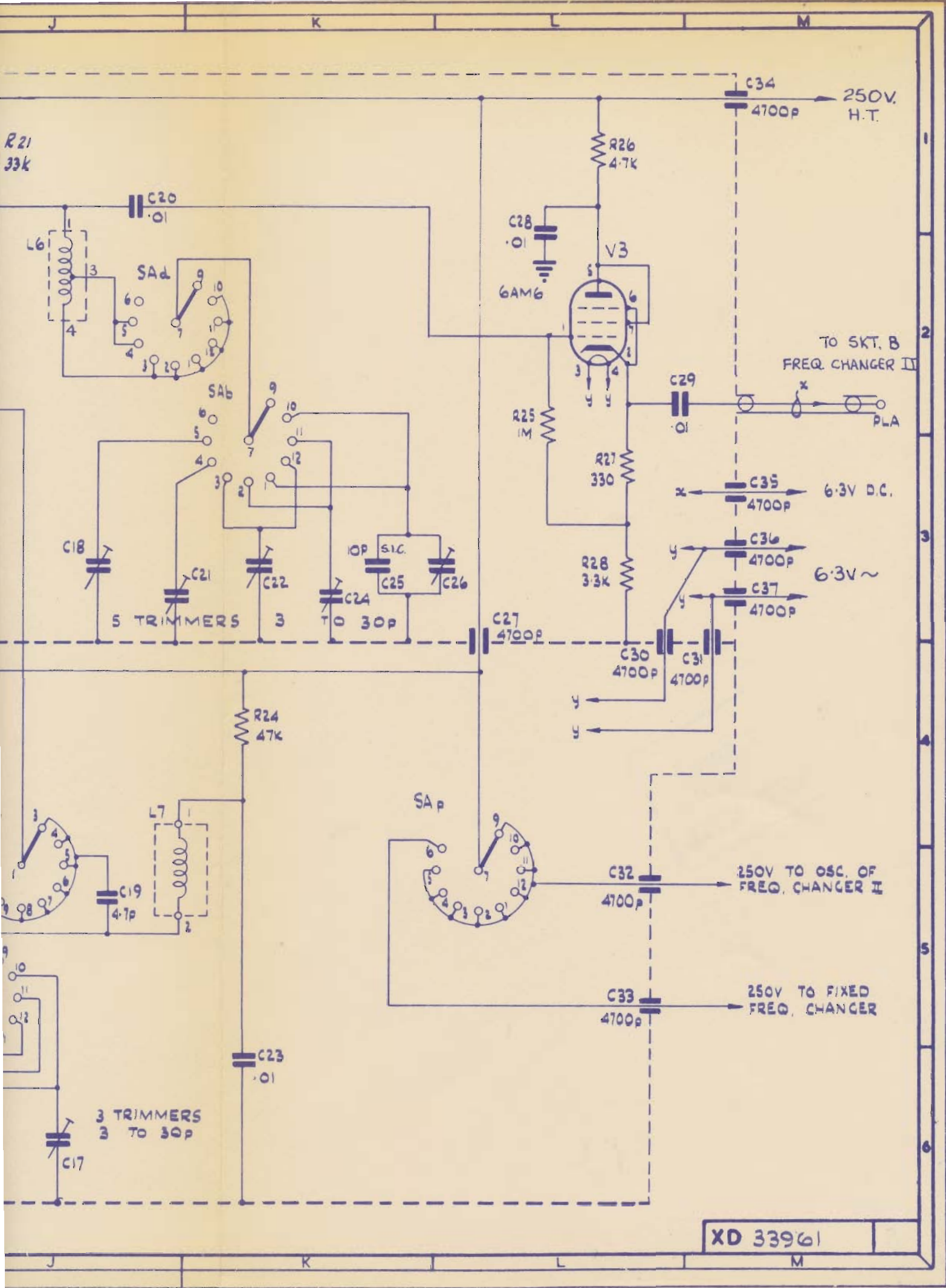
R.F. TUNING DIAL



V 6A

ETS





XD 33961

CIR. REF.	DESCRIPTION	GRID	STOCK LIST REF.	CIR. REF.	DESCRIPTION	GRID	STOCK LIST REF.
	<u>RESISTORS</u>			R27	330Ω ± 10% 1/4W	L3	30.TM6556
R1	105Ω ± 2% 1/4W	D2	14.TM6494	R28	3.3KΩ ± 10% 1/4W	L3	32.TM6556
R2	213.4Ω ± 1% 1/4W	D2	12.TM6494				
R3	213.4Ω ± 1% 1/4W	D2	12.TM6494				
R4	213.4Ω ± 1% 1/4W	D3	12.TM6494				
R5	213.4Ω ± 1% 1/4W	D3	12.TM6494				
R6	213.4Ω ± 1% 1/4W	D3	12.TM6494				
R7	105Ω ± 2% 1/4W	D2	14.TM6494				
R8	288.7Ω ± 1% 1/4W	D2	13.TM6494				
R9	144.4Ω ± 1% 1/4W	D2	11.TM6494				
R10	144.4Ω ± 1% 1/4W	D3	11.TM6494				
R11	144.4Ω ± 1% 1/4W	D3	11.TM6494		<u>CAPACITORS</u>		
R12	144.4Ω ± 1% 1/4W	D3	11.TM6494	C1	33PF ± 2PF 350V	F3	56.TM6556
R13	98.7Ω ± 1% 1/4W	D4	10.TM6494	C2	51PF ± 2PF 350V	F2	57.TM6556
R14				C3	82PF ± 3PF 350V	F2	58.TM6556
R15	10KΩ ± 10% 1/4W	G5	34.TM6556	C4	10PF S.I.C.	G3	54.TM6556
R16	330Ω ± 10% 1/4W	G6	30.TM6556	C5	39PF ± 2% 125V	G3	64.TM6556
R17	22KΩ ± 5% 2W	H1	40TM6556	C6	300PF ± 5% 125V	G3	65.TM6556
R18				C7	120PF ± 5% 350V	G4	60.TM6556
R19	100Ω ± 10% 1/4W	H3	37.TM6556	C8	220PF ± 5% 350V	G4	61.TM6556
R20	1KΩ ± 10% 1/4W	H4	31.TM6556	C9	100PF ± 5% 350V	H6	59.TM6556
R21	33KΩ ± 5% 2W	J3	39.TM6556	C10	100PF VAR.	H3	69.TM6556
R22				C11	.01μF ± 20% 400V	H3	72.TM6556
R23	47KΩ ± 10% 1/4W	J3	35.TM6556	C12	.01μF ± 20% 400V	H4	72.TM6556
R24	47KΩ ± 10% 1/4W	K4	35.TM6556	C13	15PF ± 1PF 350V	H5	55.TM6556
R25	1MΩ ± 10% 1/4W	L2	36.TM6556	C14	3 - 30PF TRIMMER	H6	68.TM6556
R26	4.7KΩ ± 10% 1/4W	L1	33.TM6556	C15	.01μF ± 20% 400V	J3	72.TM6556

DRAWN L. T-HEALD

CHKD

USED ON OA1094A

COMPONENT LIST

DATE 3.1.61

APPD. *U*

SHT. 1 OF 3 SHTS.

XD 33961----

TRACED MS

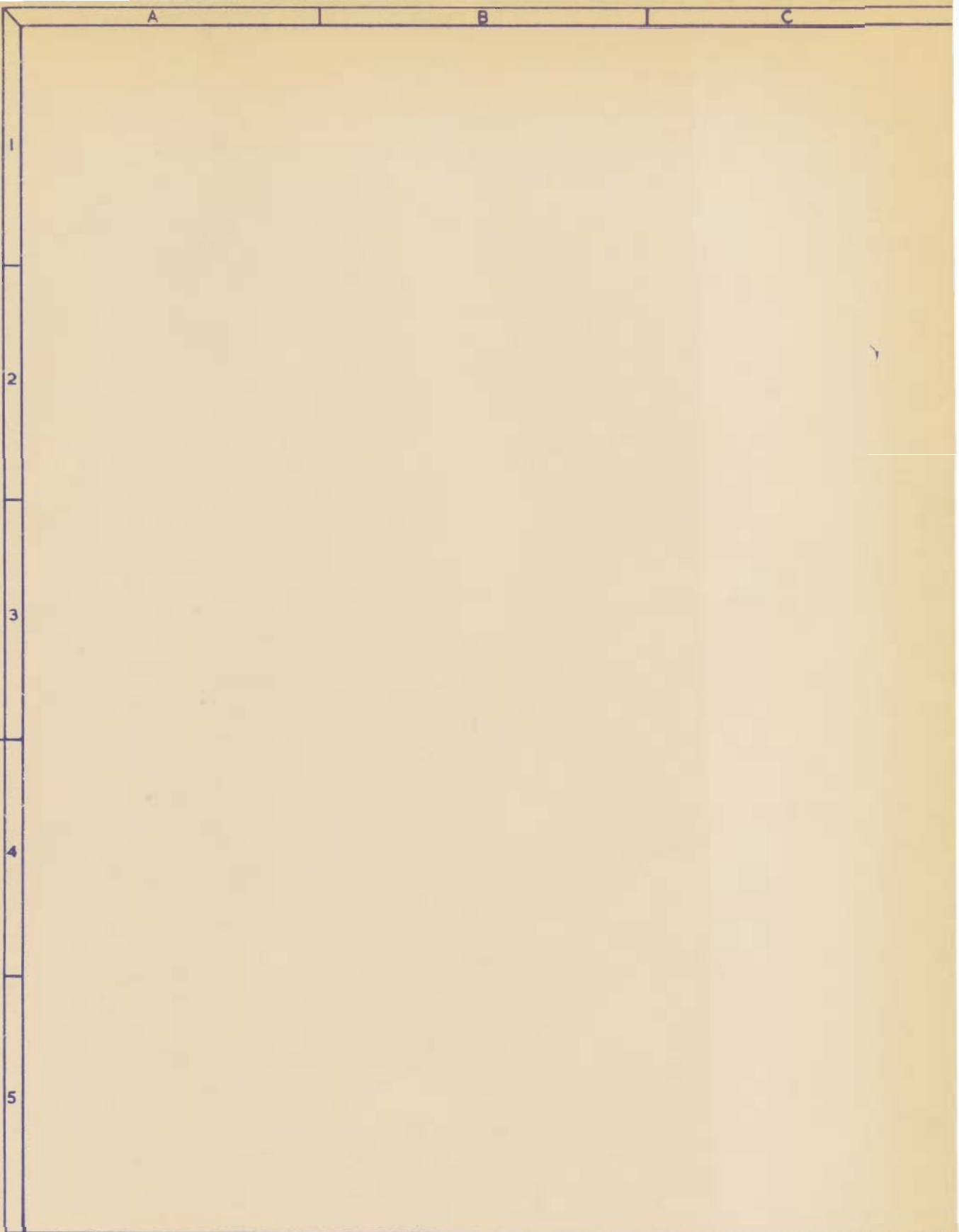
MARCONI INSTRUMENTS LTD.

CIR. REF.	DESCRIPTION	GRID	STOCK LIST REF.	CIR. REF.	DESCRIPTION	GRID	STOCK LIST REF.
	CAPACITORS (CONTD.)				PLUGS		
C16	3-30PF TRIMMER	J6	68.TM6556	PLA	75Ω CO-AX.	M2	3TM4726/158
C17	3-30PF TRIMMER	J6	68.TM6556				
C18	3-30PF TRIMMER	J3	68.TM6556				
C19	4.7PF ± ½PF 750V	J5	53.TM6556		SOCKETS		
C20	.01μF ± 20% 400V	J1	72.TM6556	SKT. A.	75Ω CO-AX	D4	110.0A-1094A
C21	3-30PF TRIMMER	J3	68.TM6556				
C22	3-30PF TRIMMER	K3	68.TM6556				
C23	.01μF ± 20% 400V	K6	72.TM6556				
C24	3-30PF TRIMMER	K3	68.TM6556				
C25	10PF S.I.C.	K3	54.TM6556				
C26	3-30PF TRIMMER	L3	68.TM6556		INDUCTORS		
C27	4700P LEAD THRO'	L3	71.TM6556	L1	1.3μH	F3	82.TM6556
C28	.01μF ± 20% 400V	L1	72.TM6556	L2	1.3μH	F2	83.TM6556
C29	.01μF ± 20% 400V	L2	72.TM6556	L3	1.3μH	F2	84.TM6556
C30	4700PF LEAD THRO'	L4	71.TM6556	L4	0.23μH	H4	85.TM6556
C31	4700PF LEAD THRO'	M4	71.TM6556	L5	0.33μH	H5	86.TM6556
C32	4700PF LEAD THRO'	L5	71.TM6556	L6	2.4μH	J2	87.TM6556
C33	4700PF LEAD THRO'	L5	71.TM6556	L7	2.2μH	J5	88.TM6556
C34	4700PF LEAD THRO'	M1	71.TM6556				
C35	4700PF LEAD THRO'	M3	71.TM6556				
C36	4700PF LEAD THRO'	M3	71.TM6556				
C37	4700PF LEAD THRO'	M3	71.TM6556		TRANSFORMERS		
				T1	21-30 Mc/s	G3	89.TM6556
				T2	12-21 Mc/s	G3	90.TM6556
				T3	6-12 Mc/s	G2	91.TM6556
				T4	3-6 Mc/s	G2	92.TM6556

DRAWN L.T-HEALD	CHKD	USED ON 0A 1094A	COMPONENT LIST XD33961
DATE 3.1.61	APPD.	SHT. 2 OF 3 SHTS.	
TRACED MS	MARCONI INSTRUMENTS LTD.		

CIR. REF.	DESCRIPTION	GRID	STOCK LIST REF.	CIR. REF.	DESCRIPTION	GRID	STOCK LIST REF.
	<u>VALVES</u>						
V1	6AM6	H5	127.TM6556				
V2	6A S6	H2	126.TM6556				
V3	6AM6	L2	127.TM6556				
	<u>CRYSTALS</u>						
XL1	QO 1655N	F6	95.TM6556				
XL2	QO 1655H	F6	96.TM6556				
XL3	QO 1655H	G6	97.TM6556				
	<u>SWITCHES</u>						
SA B)	K2					
SA D) 10 POSN.	J2	12.TM6556				
SA F) 4 SECTS.	G2					
SA H)	E2					
SA K)	J4					
SA L) 10 POSN.	F5	11.TM6556				
SA N) 4 SECTS.	J5					
SA P)	L4					

DRAWN L.T-HEALD	CHKD	USED ON OA 1094A	COMPONENT LIST XD 33961
DATE 3.1.61	APPD.	SHT. 3 OF 3 SHTS.	
TRACED MS	MARCONI INSTRUMENTS LTD.		

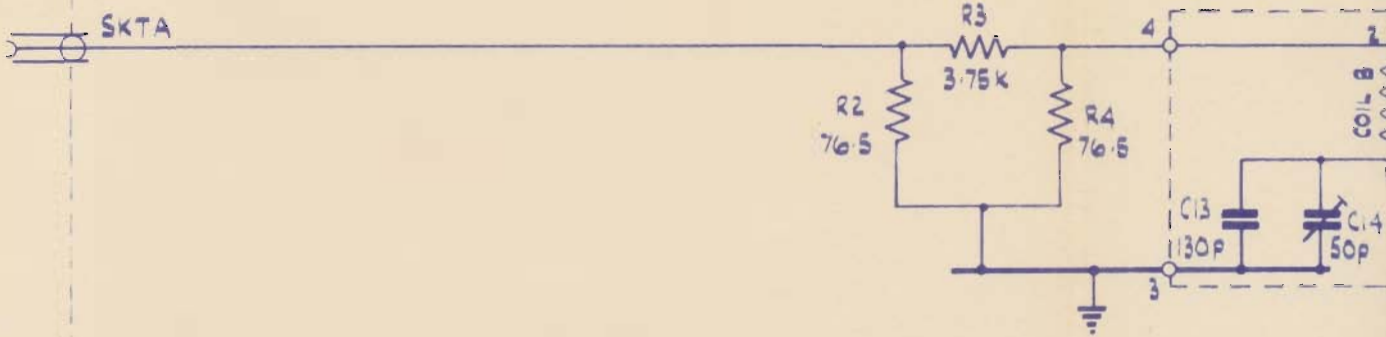


TITLE

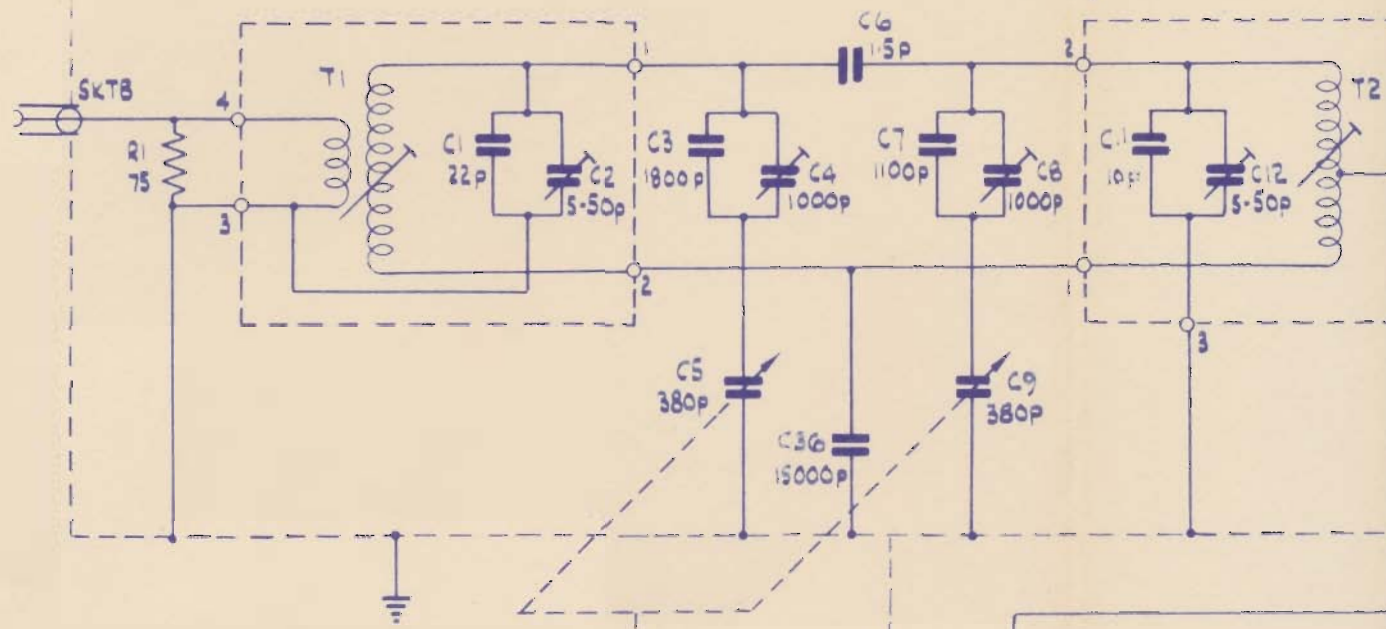
FREQUENCY CHANGER II

DRAWN	DATE	CHKD.	APPD.	TRCD.	ASSEMBLY	STOCK LIST	DRAWING NUMBER
P. H. BAKER	7/60	<i>PHB</i>		E.M.T.	TE 33665	TM 6447	XD 33849
MARCONI INSTRUMENTS LTD.							SHEET 1 OF 1 SHEETS
A			B			C	

FROM
FIXED FREQUENCY
CHANGER

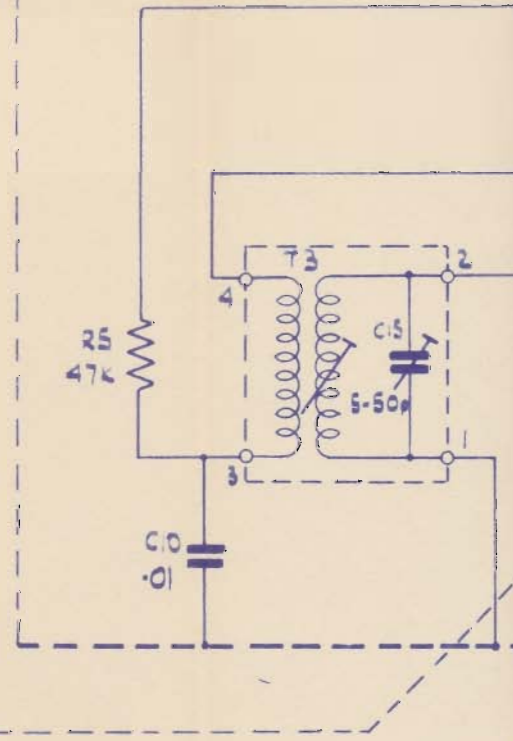
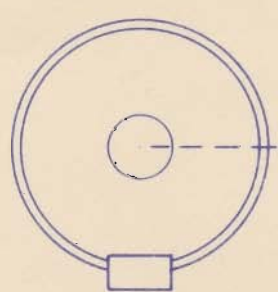


FROM FREQ
CHANGER I



CANCELLED

MAIN TUNING DIAL

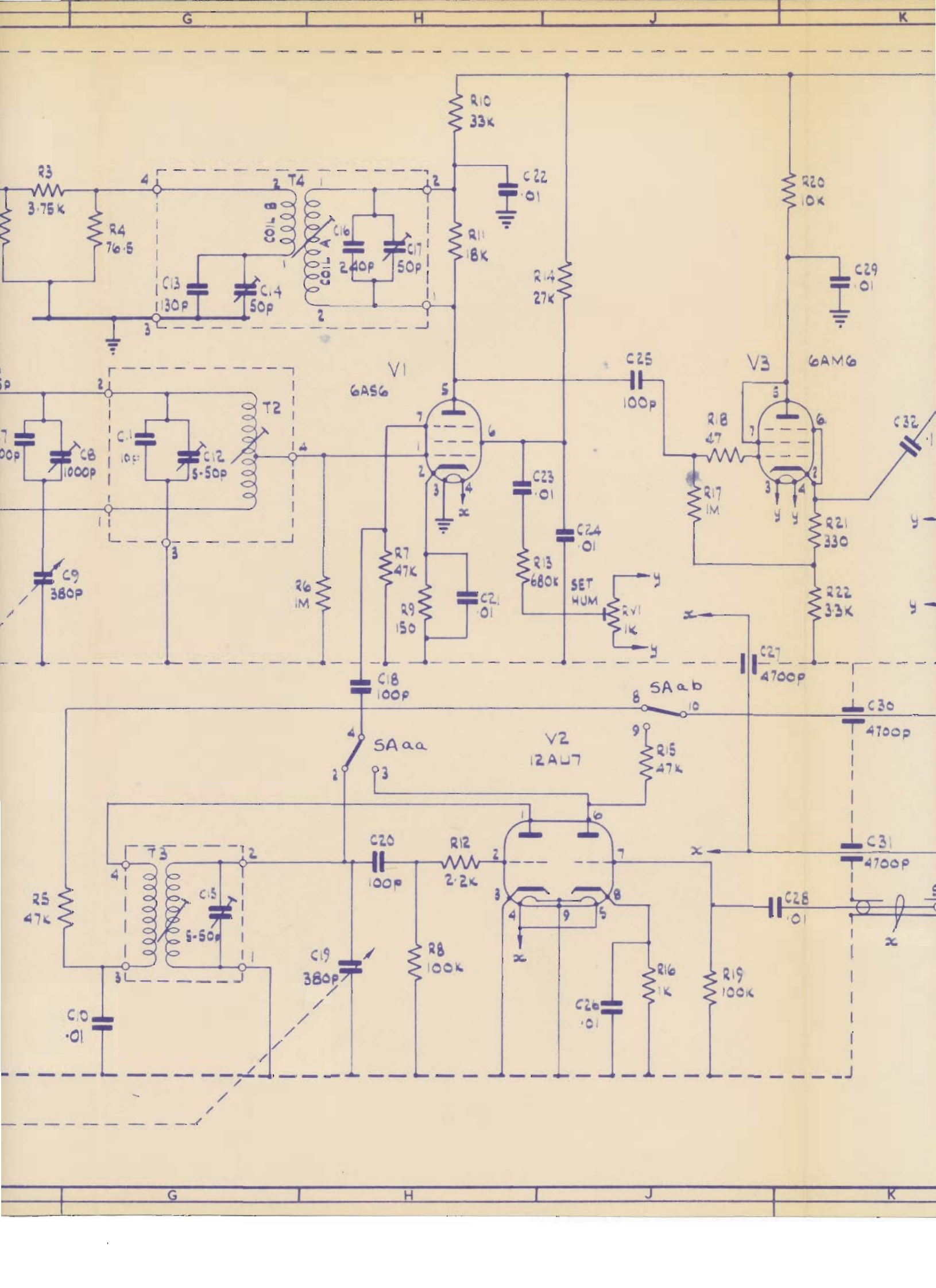


D

E

F

G



CIR. REF.	DESCRIPTION	GRID	STOCK LIST REF.	CIR. REF.	DESCRIPTION	GRID	STOCK LIST REF.
	RESISTORS.						
R1	75Ω ± 2% 1/4W	D3	38 TM 6447				
R2	76.5Ω ± 2% 1/4W	F2	39 TM 6447				
R3	3.75KΩ ± 2% 1/4W	F1	41 TM 6447				
R4	76.5Ω ± 2% 1/4W	G2	39 TM 6447		RESISTORS VARIABLE		
R5	47KΩ ± 5% 2W	F5	48 TM 6447	RV1	1KΩ ± 10% 1W	J4	52 TM 6447
R6	1MΩ ± 10% 1/4W	H3	35 TM 6447	RV2	470Ω ± 10% 1W	L2	51 TM 6447
R7	47KΩ ± 10% 1/4W	H3	33 TM 6447				
R8	100KΩ ± 10% 1/4W	H5	34 TM 6447				
R9	150Ω ± 10% 1/4W	H3	29 TM 6447				
R10	33KΩ ± 5% 2W	H1	47 TM 6447		CAPACITORS		
R11	18KΩ ± 10% 1/2W	H2	45 TM 6447	C1	22PF ± 2% 350V	E3	10 TM6445/1
R12	2.2KΩ ± 10% 1/4W	H5	31 TM 6447	C2	3-8-50PF TRIMMER	E3	5 TM 6445/1
R13	680KΩ ± 10% 1/4W	H3	36 TM 6447	C3	1800PF ± 5% 125V	F3	61 TM 6447
R14	27KΩ ± 5% 2W	J2	46 TM 6447	C4	300PF 1000PF TRIMMER	F3	69 TM 6447
R15	47KΩ ± 10% 1/2W	J4	43 TM 6447	C5	380PF SECTION OF 3-GANG	F3	70 TM 6447
R16	1KΩ ± 10% 1/4W	J5	37 TM 6447	C6	1.5PF ± 4PF 750V	F2	54 TM 6447
R17	1MΩ ± 10% 1/4W	J3	35 TM 6447	C7	1100PF ± 5% 350V	F3	60 TM 6447
R18	47Ω ± 10% 1/4W	J3	28 TM 6447	C8	300PF 1000PF TRIMMER	F3	69 TM 6447
R19	100KΩ ± 10% 1/4W	J5	34 TM 6447	C9	300PF SECTION OF 3-GANG	F3	70 TM 6447
R20	10KΩ ± 10% 1/2W	K1	44 TM 6447	C10	0.01μF ± 20% 400V	G6	64 TM 6447
R21	330Ω ± 10% 1/4W	K3	30 TM 6447	C11	10PF ± 2% 125V	G3	11 TM 6445/2
R22	3.3KΩ ± 10% 1/4W	K3	32 TM 6447	C12	3-8-50PF TRIMMER	G3	5 TM 6445/2
R23	33Ω ± 10% 1/4W	L3	27 TM 6447	C13	130PF ± 5% 350V	G2	10 TM 6446/1
R24	100Ω ± 2% 1/4W	L3	40 TM 6447	C14	3-8 - 50PF TRIMMER	G2	6 TM 6446/1
				C15	3-8 - 50PF TRIMMER	G5	5 TM 6445/3
				C16	240PF ± 5% 350V	H2	11 TM 6446/1

DRAWN L. T-H.	CHKD	USED ON (TM 6447) 0A 1094A	COMPONENT LIST
DATE 27.3.61.	APPD.	SHT. 1 OF 2 SHTS.	XD 33849
TRACED PKY	MARCONI INSTRUMENTS LTD.		

CIR. REF.	DESCRIPTION	GRID	STOCK LIST REF.	CIR. REF.	DESCRIPTION	GRID	STOCK LIST REF.
	CAPACITORS (CONT)				VALVES		
C17	3-8 - 50PF TRIMMER	H2	6 TM 6446/1	V1	6AS6	H3	92 TM6447
C18	100PF ± 5% 350V	H4	57 TM 6447	V2	12AU7	J5	93 TM 6447
C19	380PF SECTION OF 3-GANG	H5	70 TM 6447	V3	6AM6	K3	94 TM 6447
C20	100PF 5% 350V	H5	57 TM 6447				
C21	0.01μF ± 20% 400V	H3	64 TM 6447				
C22	0.01μF ± 20% 400V	H1	64 TM 6447		TRANSFORMERS		
C23	0.01μF ± 20% 400V	H3	64 TM 6447	T1	INPUT FILTER TRANS	E3	1 TM 6447
C24	0.01μF ± 20% 400V	J3	64 TM 6447	T2	FILTER TRANS.	G3	2 TM 6447
C25	100PF ± 5% 350V	J2	57 TM 6447	T3	OSC. TRANS.	G5	3 TM 6447
C26	0.01μF ± 20% 400V	J5	64 TM 6447	T4	I.F. TRANS.	G2	4 TM 6447
C27	4,700PF LEAD THRO'	J4	67 TM 6447				
C28	0.01μF ± 20% 400V	K5	64 TM 6447				
C29	0.01μF ± 20% 400V	K2	64 TM 6447				
C30	4,700PF LEAD THRO'	K4	67 TM 6447		SOCKETS.		
C31	4,700 LEAD THRO'	K5	67 TM 6447	SKT.A	CO-AXIAL 75Ω	D1	76 TM 6447
C32	0.1μF ± 20% 150V	K3	65 TM 6447	SKT.B	CO-AXIAL 75Ω	D3	76 TM 6447
C33	4,700PF LEAD THRO'	K1	67 TM 6447	SKT.C	CO-AXIAL 75Ω	M2	1 TM4726/120
C34	4,700PF LEAD THRO'	K3	67 TM 6447	SKT.D	CO-AXIAL 75Ω	K5	110. 0A1094A
C35	4,700PF LEAD THRO'	K3	67 TM 6447				
C36	15,000PF ± 20% 125V	F3	62 TM 6447		SWITCHES		
				SAaa	1 SECTION 2 POSITION	H4	71. TM 6447
				SAab		J4	

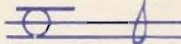
DRAWN L.T.H.	CHKD	USED ON (TM 6447) 0A 1094A	COMPONENT LIST XD 33849
DATE 27.3.61.	APPD.	SHT. 2 OF 2 SHTS.	
TRACED PKY	MARCONI INSTRUMENTS LTD.		

	A	B	C
1			
2			
3			
4			
5			

NOTE : FREQ. RESPONSE TO CONFORM TO TB34705

WIRING.

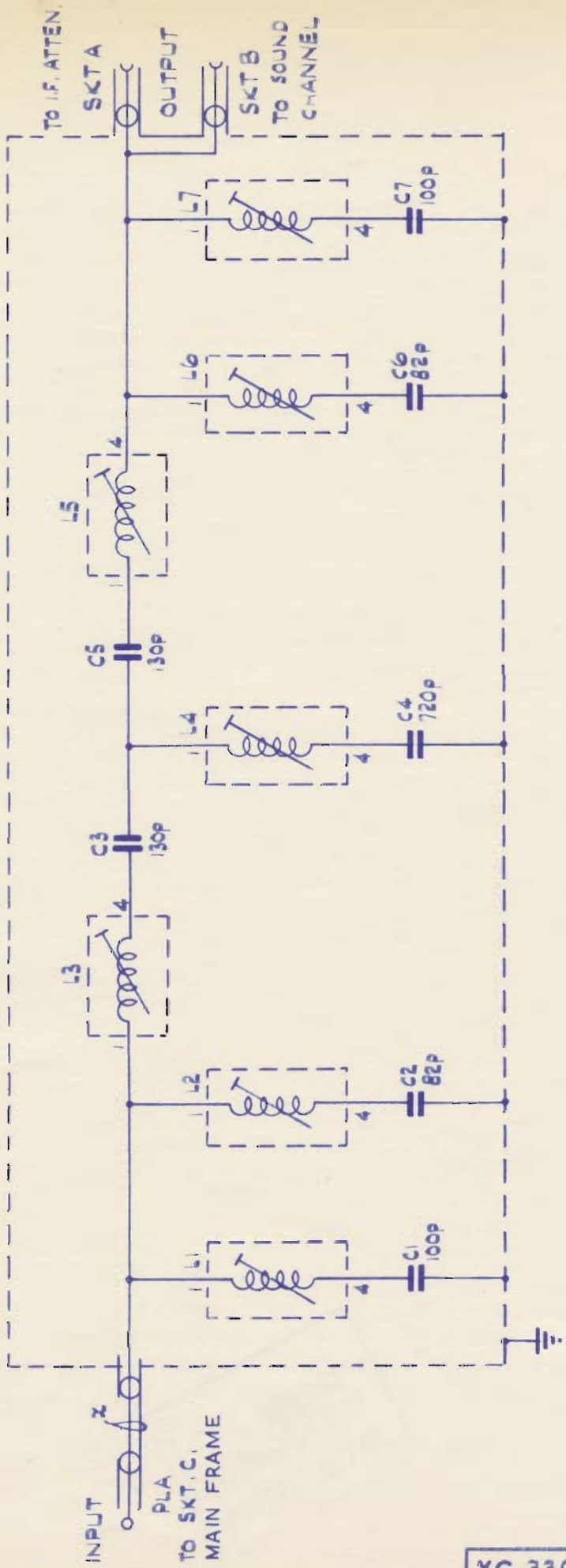
ALL WIRING TO BE TC20700/20 7/0076

UR70 CO-AX CABLE DENOTED THUS 

TITLE

700kc/s FILTER

DRAWN P.H. BAKER	DATE 8/60	CHKD <i>[Signature]</i>	APPD.	TRCD. E.M.T.	ASSEMBLY TD33986	STOCK LIST TM6493	DRAWING NUMBER XC33953
MARCONI INSTRUMENTS LTD.							SHEET 1 OF 1 SHEETS
A	B				C		



XC 33953

2

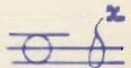
CIR. REF.	DESCRIPTION	GRID	STOCK LIST REF.	CIR. REF.	DESCRIPTION	GRID	STOCK LIST REF.
<u>CAPACITORS</u>							
C1	100pF ± 5% 125V	E5	18 TM 6493				
C2	82pF ± 3pF 125V	E5	21 TM 6493				
C3	130pF ± 5% 125V	E4	19 TM 6493				
C4	720pF ± 5% 125V	E3	20 TM 6493				
C5	130pF ± 5% 125V	E3	19 TM 6493				
C6	82pF ± 3pF 125V	E2	21 TM 6493				
C7	100pF ± 5% 125V	E1	18 TM 6493				
<u>INDUCTORS,</u>							
L1	500μH	E5	11 TM 6493				
L2	440μH	E5	12 TM 6493				
L3	370μH	D4	13 TM 6493				
L4	46μH	E3	14 TM 6493				
L5	370μH	D3	13 TM 6493				
L6	440μH	E2	12 TM 6493				
L7	500μH	E1	11 TM 6493				
<u>PLUGS</u>							
PLA	75Ω CO-AXIAL	E6	9 TM4726/123				
<u>SOCKETS</u>							
SKTA	75Ω CO-AXIAL	E1	25 TM 6493				
SKTB	75Ω CO-AXIAL	E1	25 TM 6493				

DRAWN L.T.H.	CHKD	USED ON	TM 6493 OA 1094A	COMPONENT LIST XC 33953
DATE 12.10.60.	APPD.	SHT. 1	OF 1	
TRACED MS.	MARCONI INSTRUMENTS LTD.			

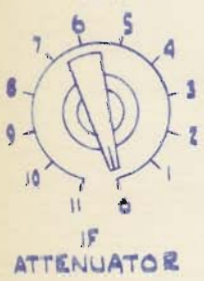
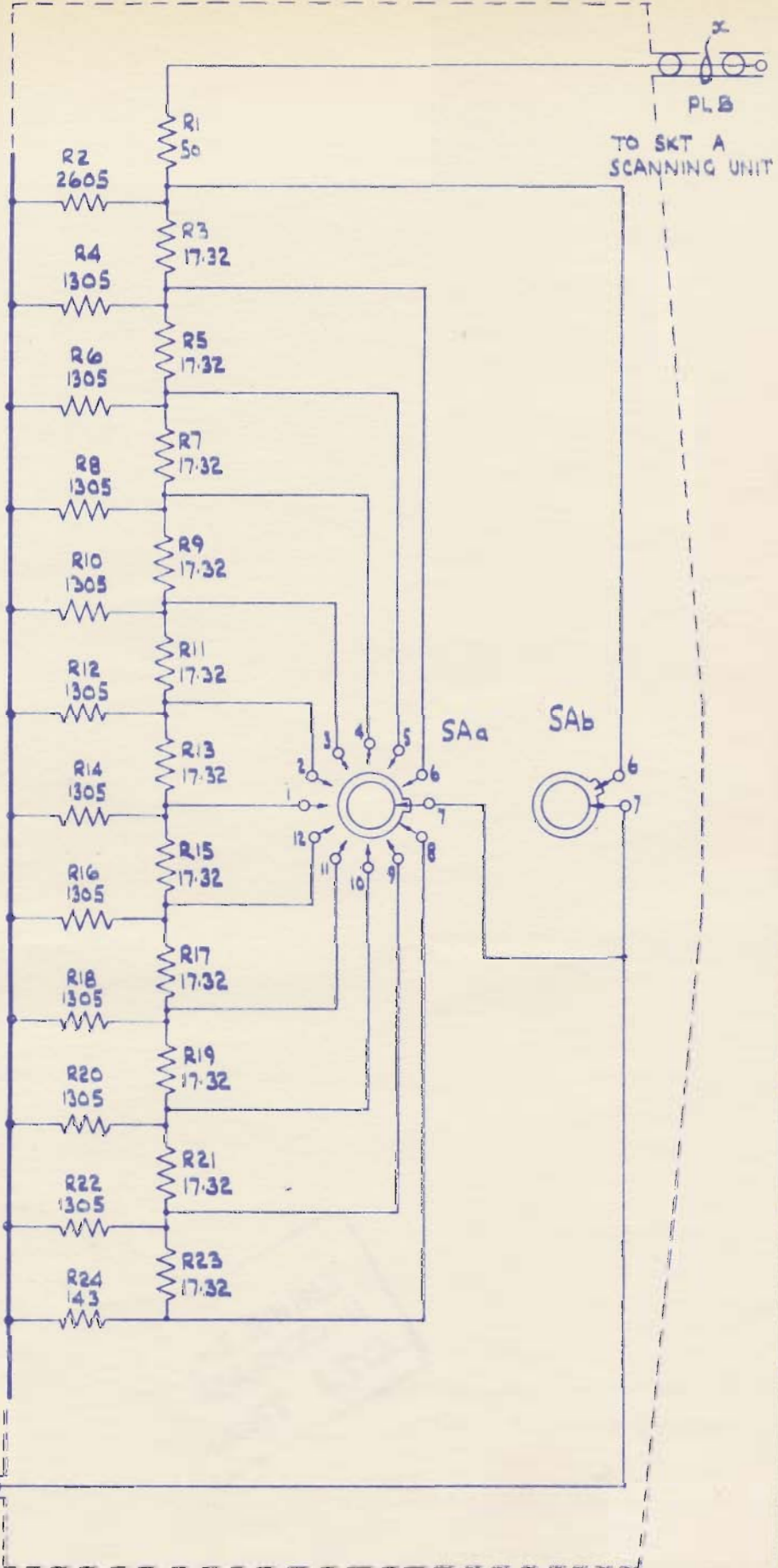


WIRING

UR70 CO-AX CABLE DENOTED THUS



TITLE		I.F. ATTENUATOR					
DRAWN	DATE	CHKD	APPD.	TRCD.	ASSEMBLY	STOCK LIST	DRAWING NUMBER
P.H.B.	AUG. 60	T. <i>WRS</i>	AH.	E.M.M.	TC34621	TM6555	XC33957
MARCONI INSTRUMENTS LTD.						SHEET OF SHEETS	
A		B			C		



XC 33957

CIR. REF.	DESCRIPTION	GRID	STOCK LIST REF.	CIR. REF.	DESCRIPTION	GRID	STOCK LIST REF.
	<u>RESISTORS</u>						
R1	$\frac{1}{2}W$ 50 Ω \pm 1%	E1	16 TM 6555		<u>PLUG</u>		
R2	$\frac{1}{2}W$ 2605 Ω \pm 1%	D1	15 TM 6555	PLA	CO-AXIAL	D6	3 TM4726/159
R3	$\frac{1}{2}W$ 17-32 Ω \pm 1%	E2	12 TM 6555	PLB	CO-AXIAL	D1	1 TM4726/160
R4	$\frac{1}{2}W$ 1305 Ω \pm 1%	D2	13 TM 6555				
R5	$\frac{1}{2}W$ 17-32 Ω \pm 1%	E2	12 TM 6555				
R6	$\frac{1}{2}W$ 1305 Ω \pm 1%	D2	13 TM 6555		<u>SWITCH</u>		
R7	$\frac{1}{2}W$ 17-32 Ω \pm 1%	E2	12 TM 6555	SWA	1 SEC 12 WAY	DI-5	20 TM 6555
R8	$\frac{1}{2}W$ 1305 Ω \pm 1%	D2	13 TM 6555				
R9	$\frac{1}{2}W$ 17-32 Ω \pm 1%	E3	12 TM 6555				
R10	$\frac{1}{2}W$ 1305 Ω \pm 1%	D3	13 TM 6555				
R11	$\frac{1}{2}W$ 17-32 Ω \pm 1%	E3	12 TM 6555				
R12	$\frac{1}{2}W$ 1305 Ω \pm 1%	D3	13 TM 6555				
R13	$\frac{1}{2}W$ 17-32 Ω \pm 1%	E3	12 TM 6555				
R14	$\frac{1}{2}W$ 1305 Ω \pm 1%	D4	13 TM 6555				
R15	$\frac{1}{2}W$ 17-32 Ω \pm 1%	E4	12 TM 6555				
R16	$\frac{1}{2}W$ 1305 Ω \pm 1%	D4	13 TM 6555				
R17	$\frac{1}{2}W$ 17-32 Ω \pm 1%	E4	12 TM 6555				
R18	$\frac{1}{2}W$ 1305 Ω \pm 1%	D4	13 TM 6555				
R19	$\frac{1}{2}W$ 17-32 Ω \pm 1%	E4	12 TM 6555				
R20	$\frac{1}{2}W$ 1305 Ω \pm 1%	D5	13 TM 6555				
R21	$\frac{1}{2}W$ 17-32 Ω \pm 1%	E5	12 TM 6555				
R22	$\frac{1}{2}W$ 1305 Ω \pm 1%	D5	13 TM 6555				
R23	$\frac{1}{2}W$ 17-32 Ω \pm 1%	E5	12 TM 6555				
R24	$\frac{1}{2}W$ 143 Ω \pm 1%	D5	14 TM 6555				

DRAWN P.A.B.

CHKD

USED ON OA 1094A

COMPONENT LIST

DATE 23.11.60.

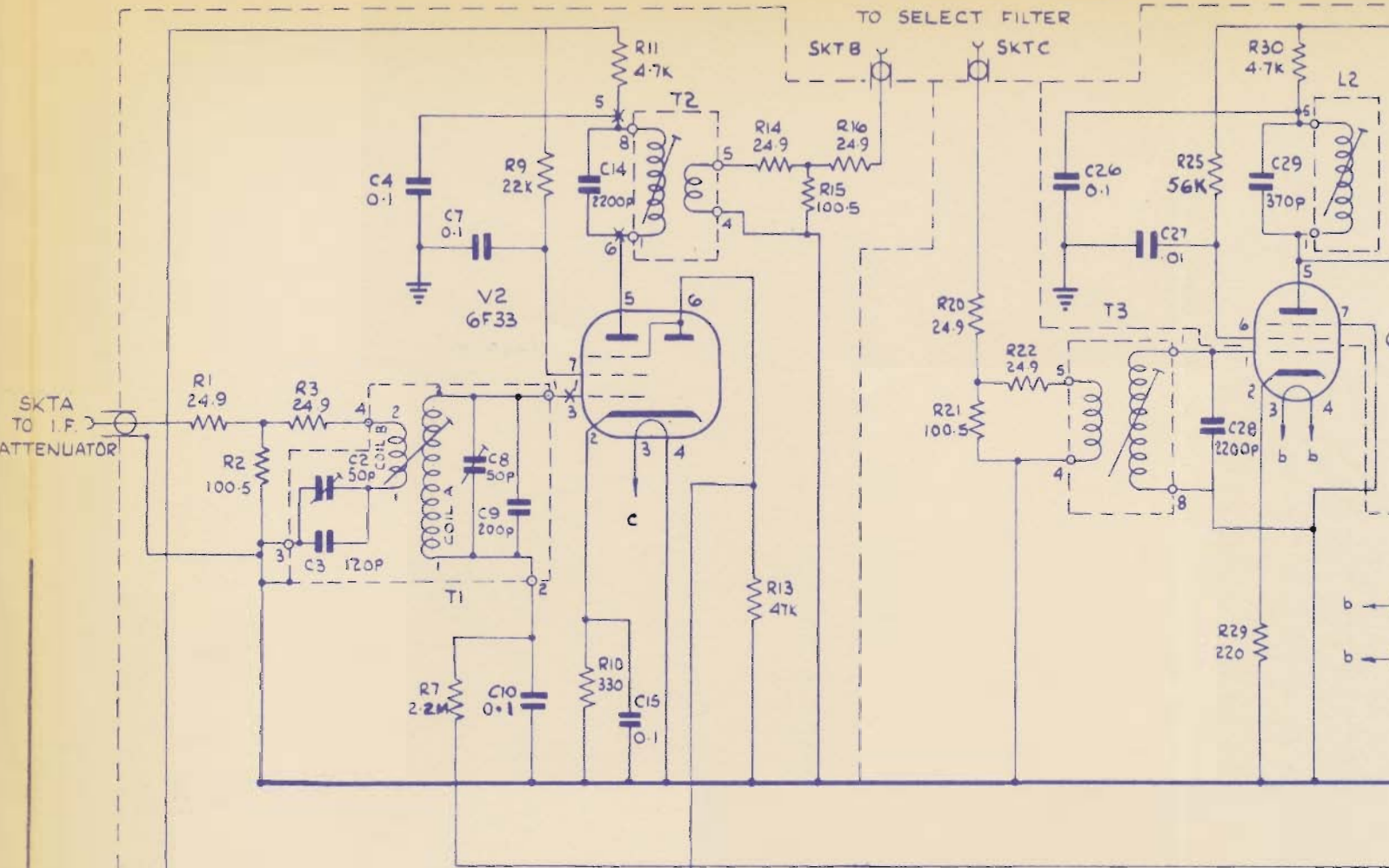
APPD.

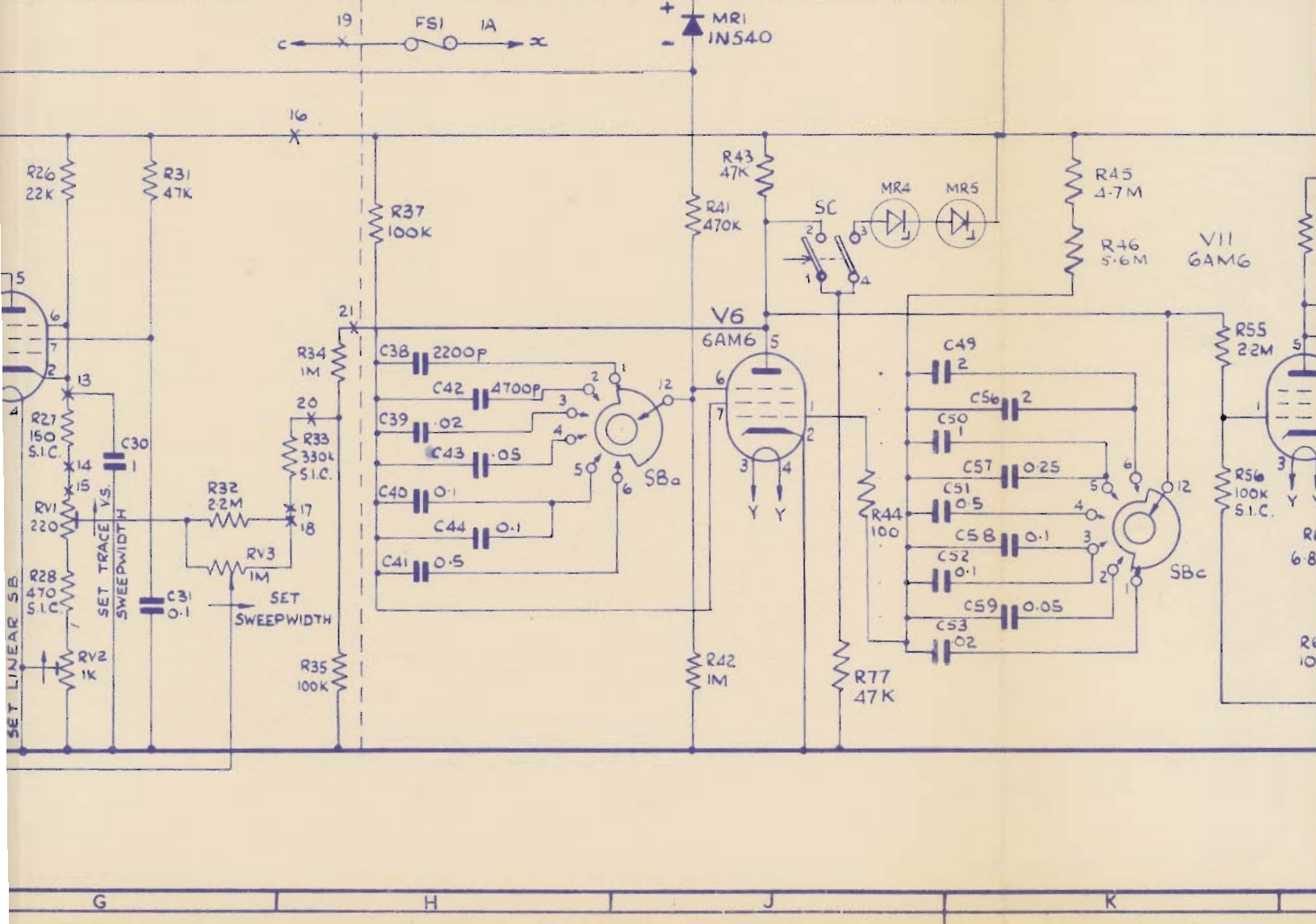
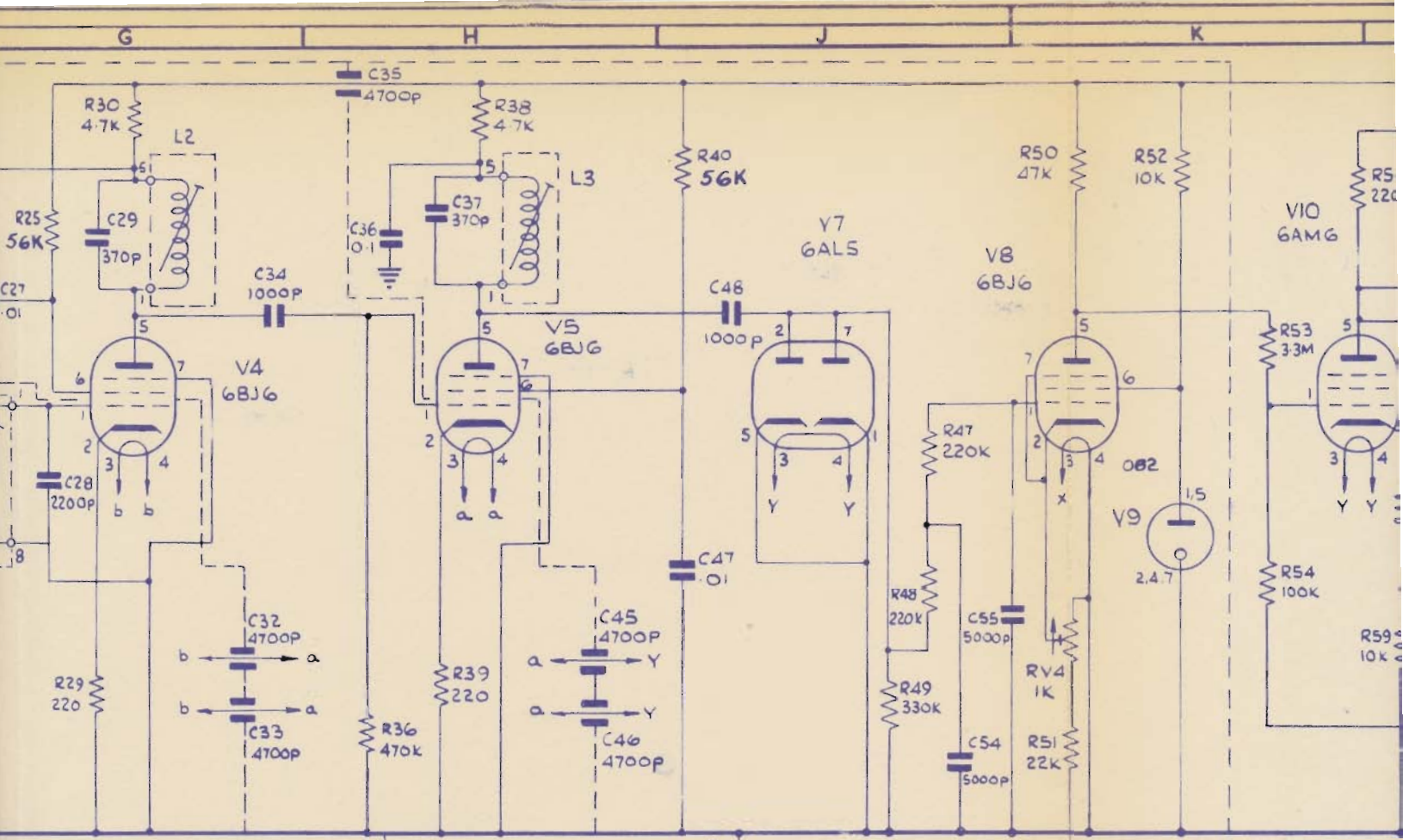
SHT. 1 OF 1 SHTS.

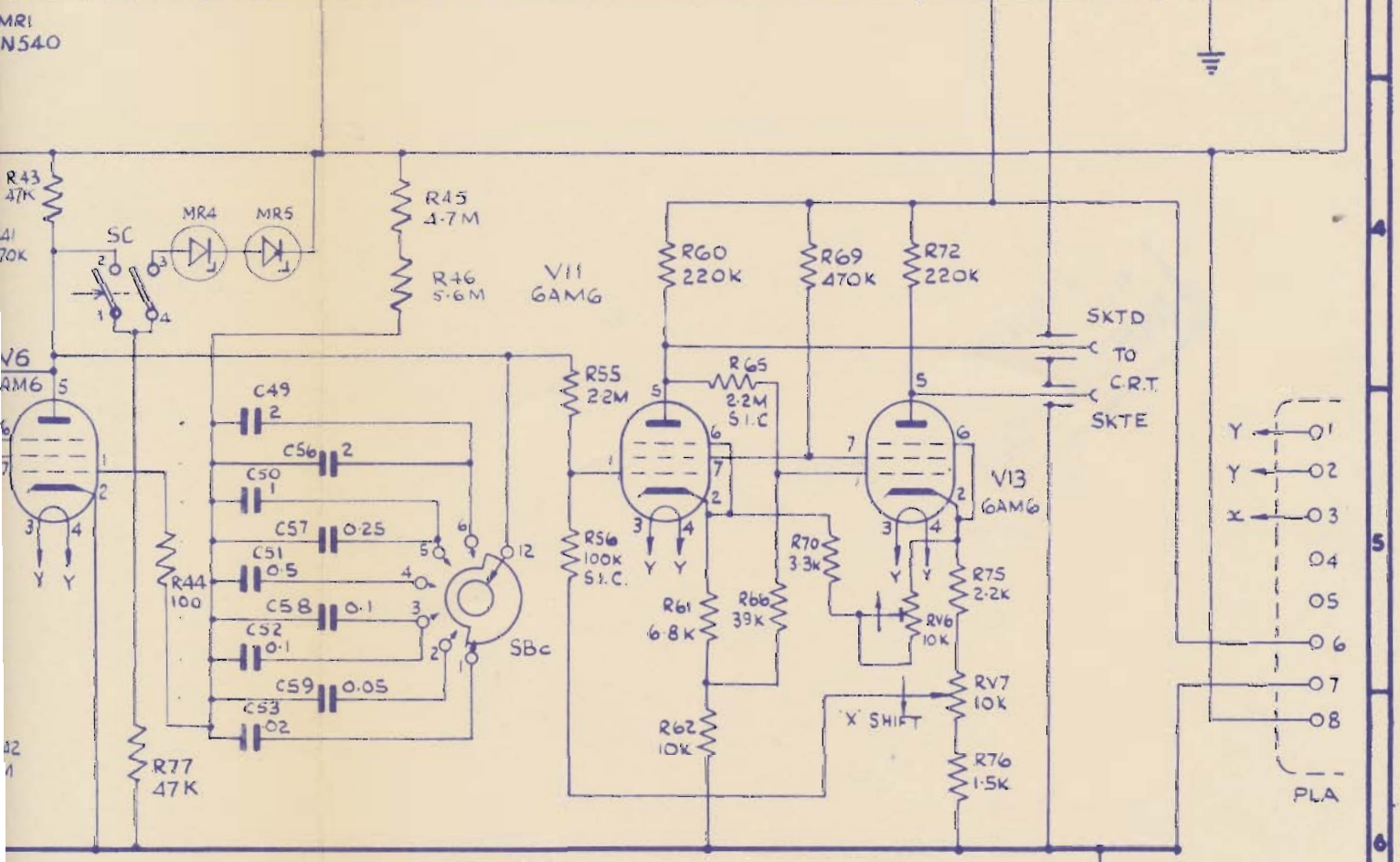
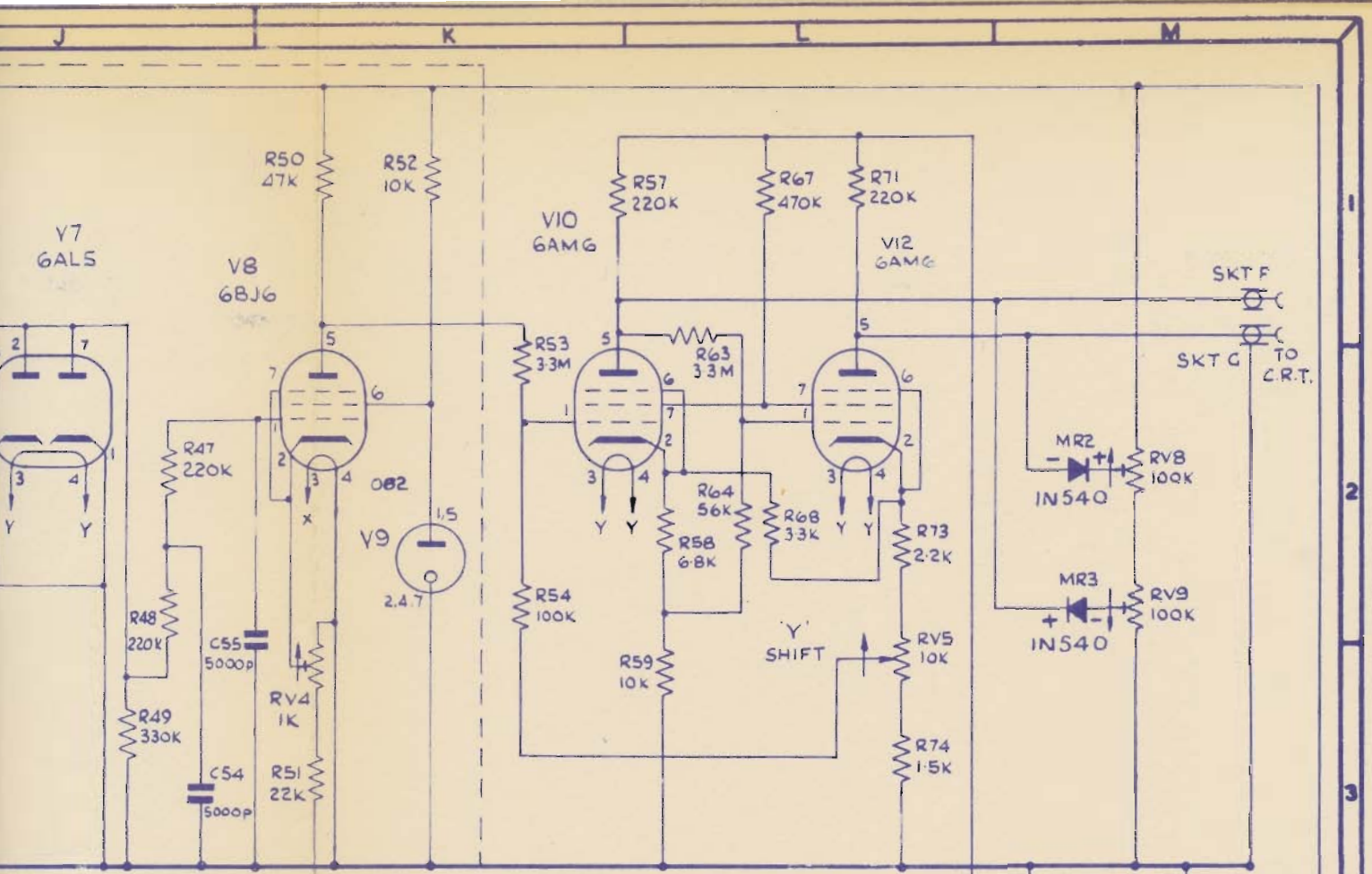
XC33957

TRACED MS

MARCONI INSTRUMENTS LTD.







CIR. REF.	DESCRIPTION	GRID	STOCK LIST REF.	CIR. REF.	DESCRIPTION	GRID	STOCK LIST REF.
	RESISTORS			R27	150Ω $\frac{1}{4}$ W SIC	G5	16 TM 6551
R1	24.9Ω \pm 2% $\frac{1}{4}$ W	D2	33 TM 6550	R28	470Ω $\frac{1}{4}$ W SIC	G5	17 TM 6551
R2	100.5Ω \pm 2% $\frac{1}{4}$ W	D2	34 TM 6550	R29	220Ω \pm 10% $\frac{1}{4}$ W	G3	13 TM 6553
R3	24.9Ω \pm 2% $\frac{1}{4}$ W	D2	33 TM 6550	R30	4.7KΩ \pm 10% $\frac{1}{4}$ W	G1	18 TM 6553
R4	680Ω \pm 10% $\frac{1}{4}$ W	D5	10 TM 6551	R31	47KΩ \pm 10% $\frac{1}{4}$ W	G4	22 TM 6551
R5	100KΩ \pm 10% $\frac{1}{4}$ W	D6	14 TM 6551	R32	2.2MΩ \pm 10% $\frac{1}{4}$ W	G5	32 TM 6550
R6	100KΩ \pm 10% $\frac{1}{4}$ W	D5	14 TM 6551	R33	330KΩ $\frac{1}{4}$ W SIC	H5	18 TM 6551
R7	2.2MΩ \pm 10% $\frac{1}{4}$ W	E3	32 TM 6550	R34	1MΩ \pm 10% $\frac{1}{4}$ W	H5	15 TM 6551
R8	4.7KΩ \pm 10% $\frac{1}{4}$ W	E4	11 TM 6551	R35	100KΩ \pm 10% $\frac{1}{4}$ W	H6	14 TM 6551
R9	22KΩ \pm 10% $\frac{1}{4}$ W	E1	21 TM 6551	R36	470KΩ \pm 10% $\frac{1}{4}$ W	H3	17 TM 6553
R10	330Ω \pm 10% $\frac{1}{4}$ W	E3	9 TM 6551	R37	100KΩ \pm 10% $\frac{1}{4}$ W	H4	13 TM 6552
R11	4.7KΩ \pm 10% $\frac{1}{4}$ W	E1	20 TM 6551	R38	4.7KΩ \pm 10% $\frac{1}{4}$ W	H1	18 TM 6553
R12	4.7KΩ \pm 10% $\frac{1}{4}$ W	E5	11 TM 6551	R39	220Ω \pm 10% $\frac{1}{4}$ W	H3	13 TM 6553
R13	47KΩ \pm 10% $\frac{1}{4}$ W	F3	13 TM 6551	R40	56KΩ \pm 10% $\frac{1}{2}$ W	J1	14 TM 6553
R14	24.9Ω \pm 2% $\frac{1}{4}$ W	F1	33 TM 6550	R41	470KΩ \pm 10% $\frac{1}{4}$ W	J4	16 TM 6552
R15	100.5Ω \pm 2% $\frac{1}{4}$ W	F1	34 TM 6550	R42	1MΩ \pm 10% $\frac{1}{4}$ W	J6	17 TM 6552
R16	24.9Ω \pm 2% $\frac{1}{4}$ W	F1	33 TM 6550	R43	47KΩ \pm 10% $\frac{1}{4}$ W	J4	23 TM 6552
R17	3.3KΩ \pm 10% $\frac{1}{4}$ W	F4	19 TM 6551	R44	100Ω \pm 10% $\frac{1}{4}$ W	J5	6 TM 6552
R18	4.7KΩ \pm 10% $\frac{1}{4}$ W	F5	11 TM 6551	R45	4.7MΩ \pm 10% $\frac{1}{4}$ W	J4	21 TM 6552
R19	22KΩ \pm 10% $\frac{1}{4}$ W	F5	12 TM 6551	R46	5.6MΩ \pm 10% $\frac{1}{4}$ W	J4	22 TM 6552
R20	24.9Ω \pm 5% $\frac{1}{4}$ W	F2	11 TM 6553	R47	220KΩ \pm 10% $\frac{1}{4}$ W	J2	15 TM 6553
R21	100.5Ω \pm 2% $\frac{1}{4}$ W	F2	12 TM 6553	R48	220KΩ \pm 10% $\frac{1}{4}$ W	J2	15 TM 6553
R22	24.9Ω \pm 5% $\frac{1}{4}$ W	F2	11 TM 6553	R49	330KΩ \pm 10% $\frac{1}{4}$ W	J3	16 TM 6553
R23	100KΩ \pm 10% $\frac{1}{4}$ W	F5	14 TM 6551	R50	47KΩ \pm 10% $\frac{1}{4}$ W	K1	19 TM 6553
R24	220Ω \pm 10% $\frac{1}{4}$ W	F5	8 TM 6551	R51	22KΩ \pm 5% 6W	K3	20 TM 6553
R25	56KΩ \pm 10% $\frac{1}{2}$ W	G1	14 TM 6553	R52	10KΩ \pm 5% 3W	K1	21 TM 6553
R26	22KΩ \pm 5% 6W	G4	23 TM 6551	R53	3.3MΩ \pm 10% $\frac{1}{4}$ W	K2	20 TM 6552

DRAWN R.A.B.

CHKD

USED ON

TM 6550
(OA 1094A)

COMPONENT LIST

DATE 13.4.61.

APPD.

SHT.

1

OF

5

SHTS.

XD 33951

TRACED PKY

MARCONI INSTRUMENTS LTD.

CIR. REF.	DESCRIPTION	GRID	STOCK LIST REF.	CIR. REF.	DESCRIPTION	GRID	STOCK LIST REF.
R54	100KΩ ± 10% 1/4W	K2	13 TM 6552				
R55	2-2MΩ ± 10% 1/4W	K4	18 TM 6552				
R56	100KΩ 1/4W SIC	K5	14 TM 6552				
P57	220KΩ ± 10% 1/4W	L1	15 TM 6552				
R58	6-8KΩ ± 10% 1/4W	L2	9 TM 6552				
P59	10KΩ ± 10% 1/4W	L3	10 TM 6552				
R60	220KΩ ± 10% 1/4W	L4	15 TM 6552				
R61	6-8KΩ ± 10% 1/4W	L5	9 TM 6552				
R62	10KΩ ± 10% 1/4W	L6	10 TM 6552				
R63	3-3MΩ ± 10% 1/4W	L1	20 TM 6552				
R64	56KΩ ± 10% 1/4W	L2	12 TM 6552				
R65	2-2MΩ 1/4W SIC	L4	19 TM 6552		RESISTORS VARIABLE		
R66	39KΩ ± 10% 1/4W	L5	11 TM 6552	RV1	220Ω ± 10% 1W	G5	42 TM 6550
R67	470KΩ ± 10% 1/4W	L1	16 TM 6552	RV2	1KΩ ± 10% 1W	G6	43 TM 6550
R68	3-3KΩ ± 10% 1/4W	L2	8 TM 6552	RV3	1MΩ ± 15% LOG	G5	44 TM 6550
R69	470KΩ ± 10% 1/4W	L4	16 TM 6552	RV4	1KΩ ± 10% 1W	K3	26 TM 6553
R70	3-3KΩ ± 10% 1/4W	L5	8 TM 6552	RV5	10KΩ ± 20% LIN.	L3	103 OA1094A
R71	220KΩ ± 10% 1/4W	L1	15 TM 6552	RV6	10KΩ ± 20% LIN	L5	45 TM 6550
R72	220KΩ ± 10% 1/4W	L4	15 TM 6552	RV7	10KΩ ± 20% LIN.	L5	46 TM 6550
R73	2-2KΩ ± 10% 1/4W	L2	7 TM 6552	RV8	100KΩ ± 20% LIN	M2	47 TM 6550
R74	1-5KΩ ± 10% 1/4W	L3	31 TM 6550	RV9	100KΩ ± 20% LIN.	M2	47 TM 6550
R75	2-2KΩ ± 10% 1/4W	L5	7 TM 6552				
R76	1-5KΩ ± 10% 1/4W	L6	31 TM 6550				
R77	47K ± 10% 1W	J6	25 TM 6552				

DRAWN R.A.B.	CHKD	USED ON TM 6550 (OA 1094A)	COMPONENT LIST XD33951
DATE 13.4.61.	APPD.	SHT. 2 OF 5 SHTS.	
TRACED OKY	MARCONI INSTRUMENTS LTD.		

CIR. REF.	DESCRIPTION	GRID	STOCK LIST REF.	CIR. REF.	DESCRIPTION	GRID	STOCK LIST REF.
	CAPACITORS.						
C1	1μF ± 20% 350V	D5	38 TM 6551	C27	0.01μF ± 20% 400V	G1	30 TM 6553
C2	3-8PF-50PF TRIMMER	D2	6 TM 6446/3	C28	2200PF ± 5% 125V	G2	32 TM 6553
C3	120PF ± 5% 125V	D2	14 TM 6446/3	C29	370PF ± 5% 350V	G1	34 TM 6553
C4	1μF ± 20% 350V	E1	38 TM 6551	C30	1.0μF ± 20% 150V	G5	39 TM 6551
C5	100PF ± 5% 350V	D4	32 TM 6551	C31	1μF ± 20% 350V	G5	38 TM 6551
C6	25PF TRIMMER	E6	67 TM 6550	C32	4700PF LEAD THRO'	G3	40 TM 6553
C7	1μF ± 20% 350V	E1	38 TM 6551	C33	4700PF LEAD THRO'	G3	40 TM 6553
C8	3-8PF-50PF TRIMMER	F2	6 TM 6446/3	C34	1000PF ± 5% 350V	G1	35 TM 6553
C9	200PF ± 5% 125V	E2	15 TM 6446/3	C35	4,700PF LEAD THRO'	H1	40 TM 6553
C10	0.1μF ± 25% 150V	E3	52 TM 6550	C36	1μF ± 20% 400V	H1	31 TM 6553
C11	330PF ± 5% 350V	E5	34 TM 6551	C37	370PF ± 5% 350V	H1	34 TM 6553
C12	330PF ± 5% 350V	E5	34 TM 6551	C38	2200PF ± 5% 125V	H5	52 TM 6550
C13	47PF ± 2PF 350V	E5	31 TM 6551	C39	0.2μF ± 20% 350V	H5	53 TM 6550
C14	2,200PF ± 5% 125V	E1	37 TM 6551	C40	1μF ± 20% 350V	H5	51 TM 6550
C15	1μF ± 20% 350V	E3	38 TM 6551	C41	5μF ± 15% 400V	H5	58 TM 6550
C16	1μF ± 20% 350V	E6	38 TM 6551	C42	4700PF ± 5% 350V	H5	60 TM 6550
C17	33PF ± 2PF 350V	E4	30 TM 6551	C43	0.05μF ± 20% 350V	H5	54 TM 6550
C18	8μF +50% -20% 350V	E6	40 TM 6551	C44	1μF ± 20% 350V	H5	51 TM 6550
C19	3PF-30PF TRIMMER	F5	46 TM 6551	C45	4700 PF LEAD THRO'	H3	40 TM 6553
C20	10PF ± 2PF 350V	F6	29 TM 6551	C46	4700PF LEAD THRO'	H3	40 TM 6553
C21	910PF ± 5% 125V	F5	35 TM 6551	C47	0.01μF ± 20% 400V	J2	30 TM 6553
C22	1,000PF 125V SIC	F5	41 TM 6551	C48	1000PF ± 5% 350V	J1	35 TM 6553
C23	130PF ± 5% 350V	F6	33 TM 6551	C49	2μF ± 15% 400V	J5	56 TM 6550
C24	100PF ± 5% 350V	F5	32 TM 6551	C50	1μF ± 15% 400V	J5	57 TM 6550
C25	1000PF ± 5% 125V	F6	36 TM 6551	C51	5μF ± 15% 400V	J5	58 TM 6550
C26	0.1μF ± 20% 400V	F1	31 TM 6553	C52	1μF ± 20% 350V	J5	51 TM 6550

DRAWN R.A.B.	CHKD	USED ON TM 6550 (OA 1094A)	COMPONENT LIST <u>XD33951</u>
DATE 13.4.61.	APPD.	SHT. 3 OF 5 SHTS.	
TRACED PKY	MARCONI INSTRUMENTS LTD.		

CIR. REF.	DESCRIPTION	GRID	STOCK LIST REF.	CIR. REF.	DESCRIPTION	GRID	STOCK LIST REF.
C53	0.2μF ± 20% 350V	J6	53 TM 6550 ✓				
C54	5000PF ± 10% 125V	J3	33 TM 6553 ✓		TRANSFORMER		
C55	5000PF ± 10% 125V	J2	33 TM 6553 ✓	T1	700 K/Cs	E2	4 TM 6550
C56	2μF + 15% 400V	K5	56 TM 6550 ✓	T2	60KC/s	E1	71 TM 6550 ✓
C57	25μF ± 20% 350V	K5	55 TM 6550 ✓	T3	60 KC/s	G2	44 TM 6553 ✓
C58	1μF ± 20% 350V	K5	51 TM 6550 ✓				
C59	0.05μF ± 20% 350V	K5	54 TM 6550 ✓				
					SWITCHES		
				SA	SPCO	F5	76 TM 6550
				SBA	} 2 SECT. } 6 POSN.	J5	} 77 TM 6550
				SBC		K5	
				SC	DOUBLE POLE (PUSH BUTTON SW)	J4	48 OA 1094A
					SOCKETS		
	<u>FUSE</u>			SKTA	75Ω CO-AXIAL	D2	74 TM 6550
FS1	1.A.	H3	81 TM 6550 ✓	SKTB	75Ω CO-AXIAL	F1	74 TM 6550
				SKTC	75Ω CO-AXIAL	F1	54 TM 6553
				SKTD	75Ω CO-AXIAL	M4	74 TM 6550
	INDUCTORS.			SKTE	75Ω CO-AXIAL	M5	74 TM 6550
L1	760 KC/s OSC.	E5	72 TM 6550 ✓	SKTF	75Ω CO-AXIAL	M1	74 TM 6550
L2	60 KC/s	G1	45 TM 6553 ✓	SKTG	75Ω CO-AXIAL	M1	74 TM 6550
L3	60 KC/s	H1	45 TM 6553 ✓				

DRAWN R.A.B.	CHKD	USED ON	TM 6550 (OA 1094A)	COMPONENT LIST XD33951
DATE 13.4.61.	APPD.	SHT.	4 OF 5 SHTS.	
TRACED PKY	MARCONI INSTRUMENTS LTD.			

CIR. REF.	DESCRIPTION	GRID	STOCK LIST REF.	CIR. REF.	DESCRIPTION	GRID	STOCK LIST REF.
	PLUGS						
PLA	8 WAY	M5	73 TM 6550				
	RECTIFIERS.						
MR1	IN 540	J3	79 TM 6550				
MR2	IN 540	M2	79 TM 6550				
MR3	IN 540	M2	79 TM 6550				
MR4	ZENER DIODE (220-0)	J4	36 TM 6552				
MP5	ZENER DIODE (220-0)	J4	36 TM 6552				
V1	12AU7	D4	62 TM 6551				
V2	6F33	E2	63 TM 6551				
V3	6AM6	G4	64 TM 6551				
V4	6BJ6	G2	69 TM 6553				
V5	6BJ6	H2	69 TM 6553				
V6	6AM6	J5	38 TM 6552				
V7	6AL5	J2	70 TM 6553				
V8	6BJ6	K2	69 TM 6553				
V9	0B2	K2	71 TM 6553				
V10	6AM6	K2	38 TM 6552				
V11	6AM6	L5	38 TM 6552				
V12	6AM6	L2	38 TM 6552				
V13	6AM6	L5	38 TM 6552				

DRAWN R.A.B.	CHKD	USED ON TM 6550 OA 1094A	COMPONENT LIST XD33951
DATE 13.4.61.	APPD. <i>AK</i>	SHT. 5 OF 5 SHTS.	
TRACED PKY	MARCONI INSTRUMENTS LTD.		

XLI. & XL2 FREQUENCY - 59.995 kc/s $\pm 0.5c/s$
 EACH MUST BE TUNED TO 59.995 kc/s $\pm 0.5c/s$
 BY SELECTING SERIES CAPACITORS. THE
 COMPLETE UNIT MUST TUNE AT 60kc/s $\pm 1c/s$
 AT ROOM TEMPERATURE

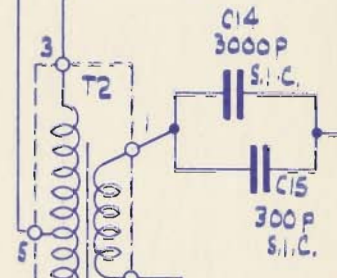
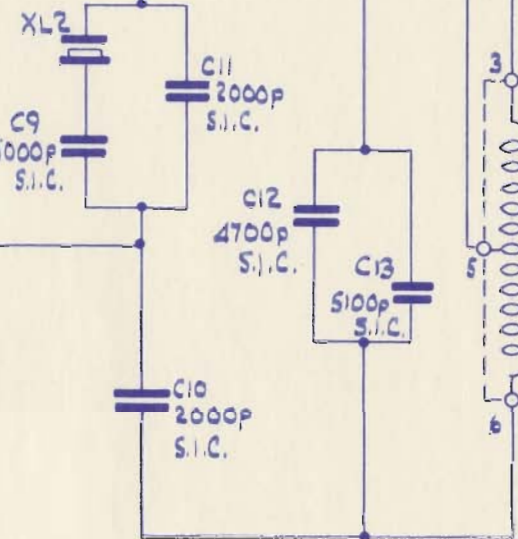
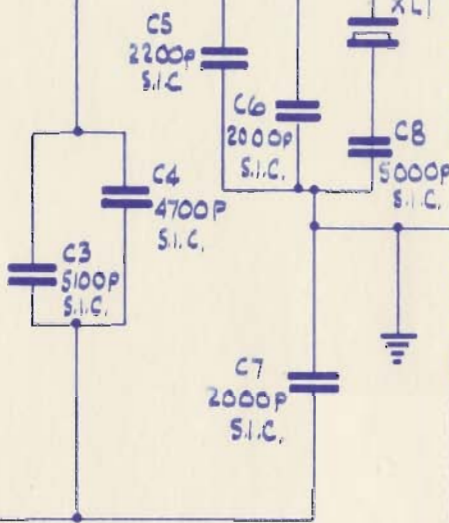
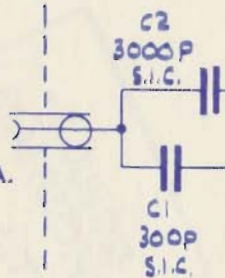
1
2
3
4
5

A B C

TITLE		FILTER UNIT 6c/s					
DRAWN	DATE	CHKD	APPD.	TRCD.	ASSEMBLY	STOCK LIST	DRAWING NUMBER
P.H. BAKER	8-60	<i>[Signature]</i>		E.M.T.	TD34794.	TM6568	XC 33954
MARCONI INSTRUMENTS LTD.							SHEET 1 OF 1 SHEETS
A		B			C		

INPUT

SKT. A.



OUTPUT

SKT. B.

XC 33954

6 5 4 3 2 1

CIR. REF.	DESCRIPTION	GRID	STOCK LIST REF.	CIR. REF.	DESCRIPTION	GRID	STOCK LIST REF.
	<u>CAPACITORS</u>						
C1	300PF ± 20% 125V (S.I.C.)	E6	28.TM6568				
C2	3000PF ± 20% 125V (S.I.C.)	E6	23.TM6568				
C3	5100PF ± 20% 125V (S.I.C.)	E5	32.TM6568		<u>CRYSTALS</u>		
C4	4700PF ± 20% 125V (S.I.C.)	E4	29.TM6568	XL1	QR1030	D4	45.TM6568
C5	2200PF ± 20% 125V (S.I.C.)	E4	31.TM6568	XL2	QR1030	D3	45.TM6568
C6	2000PF ± 20% 125V (S.I.C.)	E4	30.TM6568				
C7	2000PF ± 20% 125V (S.I.C.)	E4	30.TM6568				
C8	5000PF ± 20% 125V (S.I.C.)	E4	27.TM6568				
C9	5000PF ± 20% 125V (S.I.C.)	E3	27.TM6568				
C10	2000PF ± 20% 125V (S.I.C.)	E3	30.TM6568				
C11	2000PF ± 20% 125V (S.I.C.)	E3	30.TM6568				
C12	4700PF ± 20% 125V (S.I.C.)	E2	29.TM6568				
C13	5100PF ± 20% 125V (S.I.C.)	E2	32.TM6568				
C14	3000PF ± 20% 125V (S.I.C.)	E1	23.TM6568				
C15	300PF ± 20% 125V (S.I.C.)	E1	28.TM6568				
	<u>TRANSFORMERS</u>						
T1	INPUT	E5	2.TM6568				
T2	OUTPUT	E2	2.TM6568				
	<u>SOCKETS.</u>						
SKTA	CO-AXIAL 75Ω	E6	10.TM6567				
SKTE	CO-AXIAL 75Ω	E1	10.TM6567				

DRAWN R.A. BOTTOMS	CHKD	USED ON 0A1094A	COMPONENT LIST XC33954
DATE 7.12.60	APPD.	SHT. 1 OF 1 SHTS.	
TRACED MS	MARCONI INSTRUMENTS LTD.		

A

B

C

XLI & XL2 FREQUENCY - 59.977 Kc/s ± 10 c/s
 EACH MUST BE TUNED TO 59.977 Kc/s ± 0.5 c/s
 BY SELECTING SERIES CAPACITORS. THE
 COMPLETED UNIT MUST TUNE AT 60Kc/s ± 1 c/s
 AT ROOM TEMPERATURE.

2

3

4

5

TITLE

FILTER UNIT 30c/s

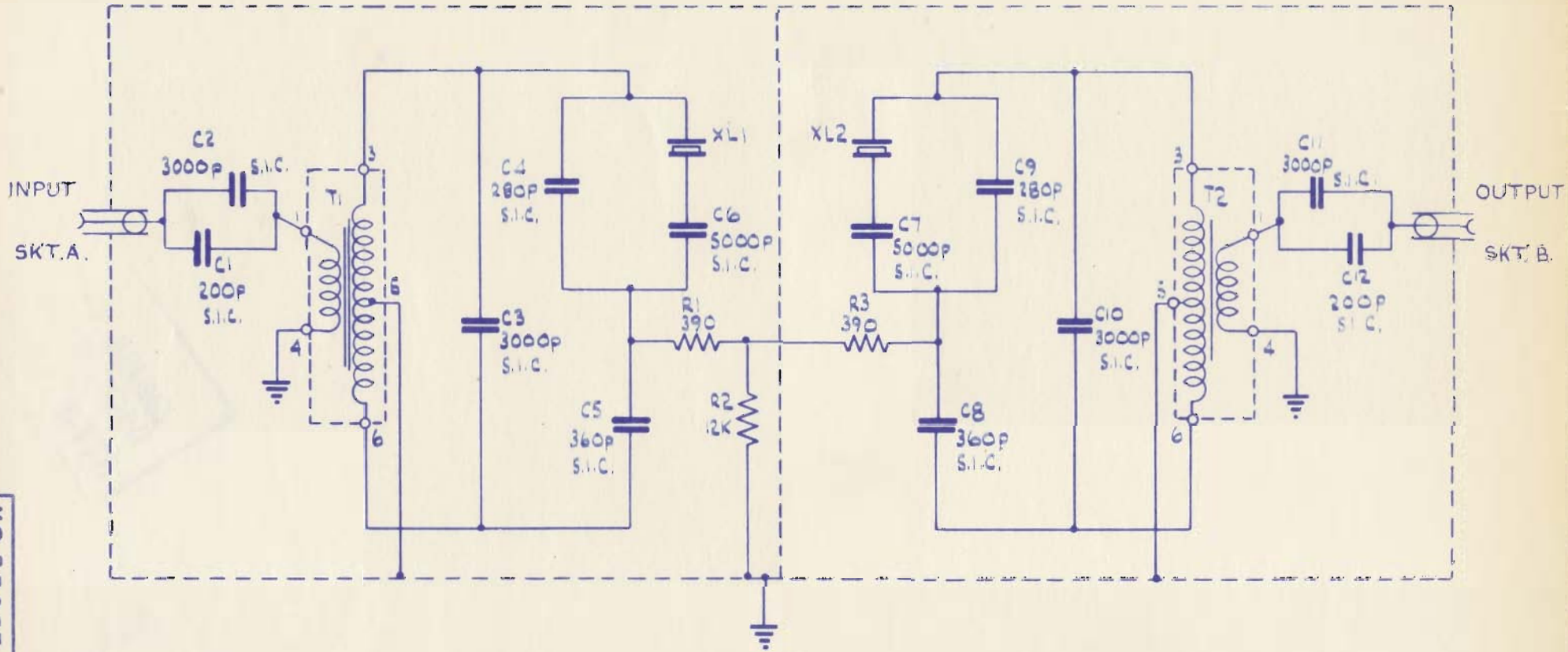
DRAWN	DATE	CHKD	APPD.	TRCD.	ASSEMBLY	STOCK LIST	DRAWING NUMBER
P.H. BAKER	8-60	<i>JHD</i>		E.M.T.	TD34794/1	TM 6568/1	XC 33955
MARCONI INSTRUMENTS LTD.							SHEET 1 OF 1 SHEETS
A			B			C	

D

E

F

XC 33955



D

E

F

6

5

4

3

2

1

CIR. REF.	DESCRIPTION	GRID	STOCK LIST REF.	CIR. REF.	DESCRIPTION	GRID	STOCK LIST REF.
	<u>RESISTORS</u>						
R1	$\frac{1}{4}W$ 390 Ω \pm 10%	E4	16.TM6568/1				
R2	$\frac{1}{4}W$ 12K Ω \pm 10%	E4	17.TM6568/1		<u>SOCKETS.</u>		
R3	$\frac{1}{4}W$ 390 Ω \pm 10%	E3	16.TM6568 /1	SKTA	CO-AXIAL 75 Ω	E6	10.TM6567
				SKTE	CO-AXIAL 75 Ω	E1	10.TM6567
	<u>CAPACITORS</u>						
C1	200PF \pm 20% 125V (S.I.C.)	E6	24.TM6568/1		<u>CRYSTALS</u>		
C2	3000PF \pm 20% 125V (S.I.C.)	E6	23.TM6568/1	XL1	QR1031	D4	46.TM6568/1
C3	3000PF \pm 20% 125V (S.I.C.)	E5	23.TM6568/1	XL2	QR1031	D2	46.TM6568/1
C4	280PF \pm 20% 125V (S.I.C.)	E4	25.TM6568/1				
C5	360PF \pm 20% 125V (S.I.C.)	E4	26.TM6568/1				
C6	5000PF \pm 20% 125V (S.I.C.)	E4	27.TM6568/1				
C7	5000PF \pm 20% 125V (S.I.C.)	E3	27.TM6568/1				
C8	360PF \pm 20% 125V (S.I.C.)	E3	26.TM6568/1				
C9	280PF \pm 20% 125V (S.I.C.)	E3	25.TM6568/1				
C10	3000PF \pm 20% 125V (S.I.C.)	E2	23.TM6568/1				
C11	3000PF \pm 20% 125V (S.I.C.)	E1	23.TM6568/1				
C12	200PF \pm 20% 125V (S.I.C.)	E1	24.TM6568/1				
	<u>TRANSFORMERS</u>						
T1	INPUT	E5	3.TM6568/1				
T2	OUTPUT	E2	3.TM6568/1				

DRAWN
R.A. BOTTOMS.

CHKD

USED ON 0A1094A

COMPONENT LIST

XC33955

DATE 7.12.60.

APPD.

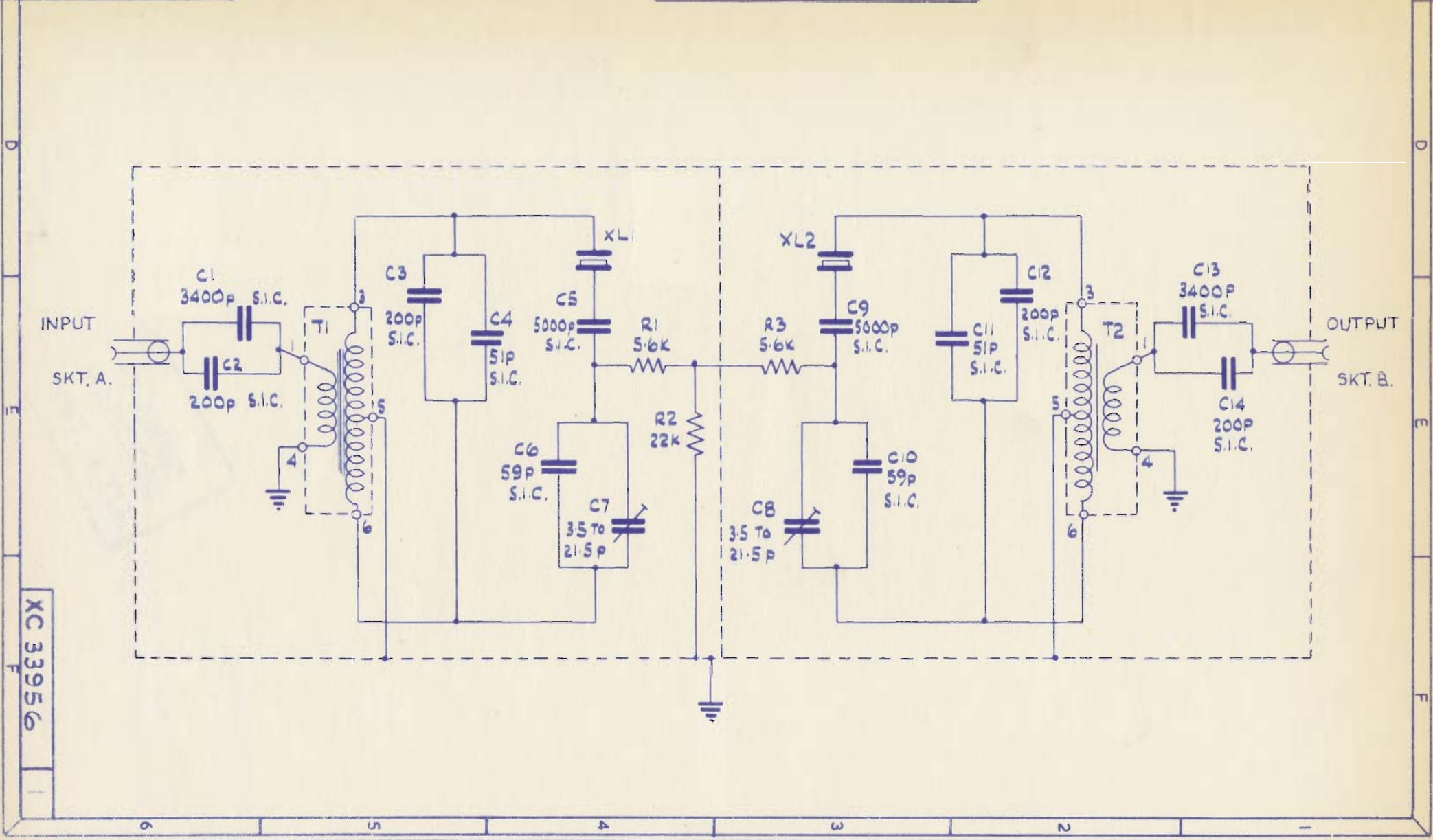
SHT. 1 OF 1 SHTS.

TRACED MS

MARCONI INSTRUMENTS LTD.

XLI & XL2 FREQUENCY - 59.886 kc/s ± 10 c/s
 EACH MUST BE TUNED TO 59.886 kc/s ± 0.5 c/s
 BY SELECTING SERIES CAPACITORS. THE
 COMPLETE UNIT MUST TUNE AT 60 kc/s ± 6 c/s
 AT ROOM TEMPERATURE

TITLE		FILTER UNIT 150c/s					
DRAWN	DATE	CHKD	APPD.	TRCD.	ASSEMBLY	STOCK LIST	DRAWING NUMBER
P.H. BAKER	8-60	<i>[Signature]</i>		E.M.T.	TD34794/2	TM.6568/2	XC 33956
MARCONI INSTRUMENTS LTD.							SHEET 1 OF 1 SHEETS
A		B			C		



CIR. REF.	DESCRIPTION	GRID	STOCK LIST REF.	CIR. REF.	DESCRIPTION	GRID	STOCK LIST REF.
	<u>RESISTORS</u>						
R1	$\frac{1}{4}W$ 5.6K Ω \pm 10%	E4	18.TM6568/2				
R2	$\frac{1}{4}W$ 22K Ω \pm 10%	E4	19.TM6568/2				
R3	$\frac{1}{4}W$ 5.6K Ω \pm 10%	E3	18.TM6568/2		<u>SOCKETS</u>		
				SKTA	CO-AXIAL 75 Ω	E6	10.TM5567
				SKTB	CO-AXIAL 75 Ω	E1	10.TM5567
	<u>CAPACITORS</u>						
C1	3400PF \pm 10% 125V (S.I.C.)	E6	33.TM6568/2				
C2	200PF \pm 20% 125V (S.I.C.)	E6	24.TM6568/2		<u>CRYSTALS</u>		
C3	200PF \pm 20% 125V (S.I.C.)	E5	24.TM6568/2	XL1	QR1032	D4	47.TM6568/2
C4	51PF \pm 3PF 125V (S.I.C.)	E5	34.TM 6568/2	XL2	QR1032	D3	47.TM6568/2
C5	5000PF \pm 20% 125V (S.I.C.)	E4	27.TM6568/2				
C6	59PF \pm 3PF 125V (S.I.C.)	E4	35.TM6568/2				
C7	3-5-21.5PF TRIMMER	E4	38.TM6568/2				
C8	3-5-21.5PF TRIMMER	E3	38.TM6568/2				
C9	5000PF \pm 20% 125V (S.I.C.)	E3	27.TM6568/2				
C10	59PF \pm 3PF 125V (S.I.C.)	E3	35.TM6568/2				
C11	51PF \pm 3PF 125V (S.I.C.)	E3	34.TM6568/2				
C12	200PF \pm 20% 125V (S.I.C.)	E2	24.TM6568/2				
C13	3400PF \pm 10% 125V (S.I.C.)	E1	33.TM6568/2				
C14	200PF \pm 20% 125V (S.I.C.)	E1	24.TM6568/2				
	<u>TRANSFORMERS</u>						
T1	INPUT	E5	4.TM6568/2				
T2	OUTPUT	E2	4.TM6568/2				

DRAWN
R.A. BOTTOMS

CHKD

USED ON OA 1094A

COMPONENT LIST

DATE 7.12.60

APPD.

SHT. 1 OF 1 SHTS.

XC 33956

TRACED MS.

MARCONI INSTRUMENTS LTD.



TITLE.

SELECTED ATTENUATOR PAD
FOR 6c/s FILTER.

DRAWN	DATE	CHKD.	APPD.	TRCD.	ASSEMBLY	STOCK LIST	DRAWING NUMBER
P.B	AUG. 1960.	T. <i>NG</i>	AH	T.D.S.	TB 34460	TM 6533	XC34098
MARCONI INSTRUMENTS LTD.							SHEET OF SHEET
A			B			C	

D

E

F

1

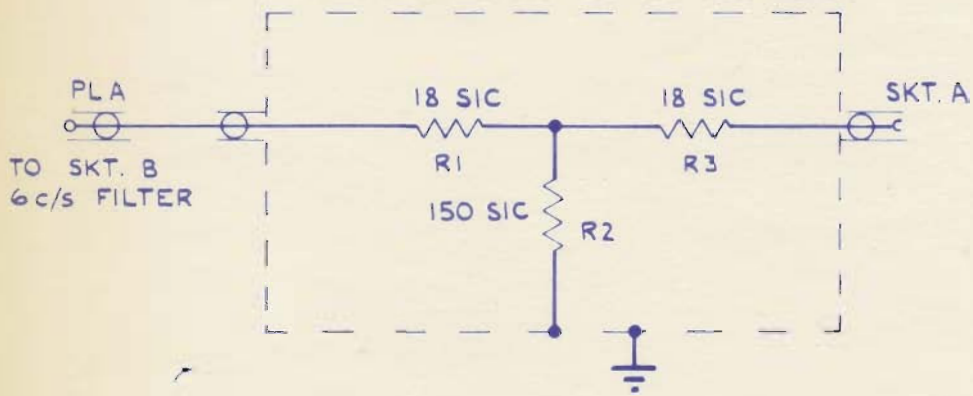
2

3

4

5

6



XC 34098	1
----------	---

D

E

F



WIRING

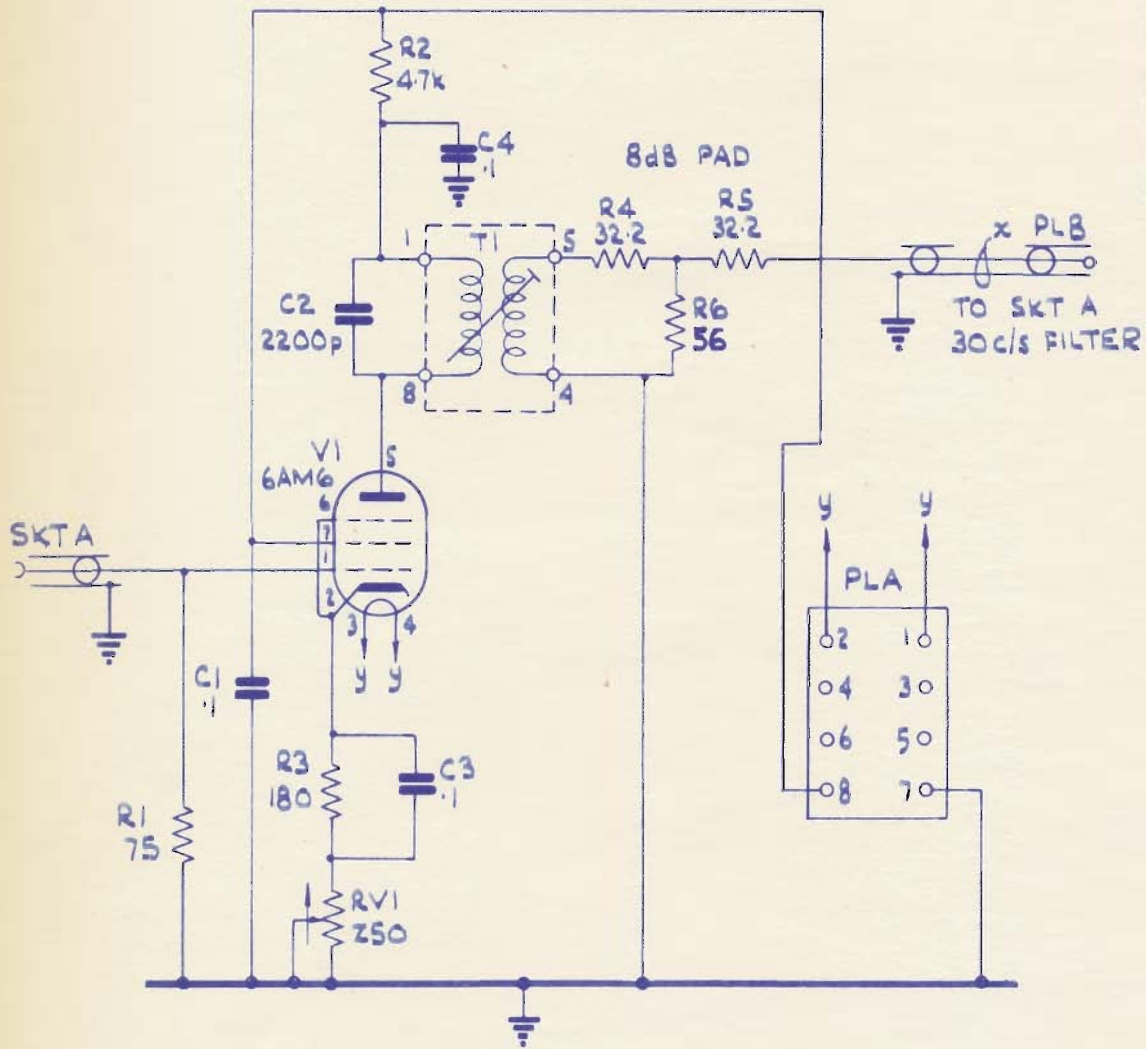
UR70 CO-AX CABLE DENOTED THUS :-



TITLE

60kc/s AMPLIFIER

DRAWN	DATE	CHKD.	APPD.	TRCD.	ASSEMBLY	STOCK LIST	DRAWING NUMBER
P.H.B.	AUG. 60	T. W. J.	A.H.	E.M.M.	TD34240	TM6508	XC33958
MARCONI INSTRUMENTS LTD.							SHEET OF SHEETS
A		B			C		



XC3395B

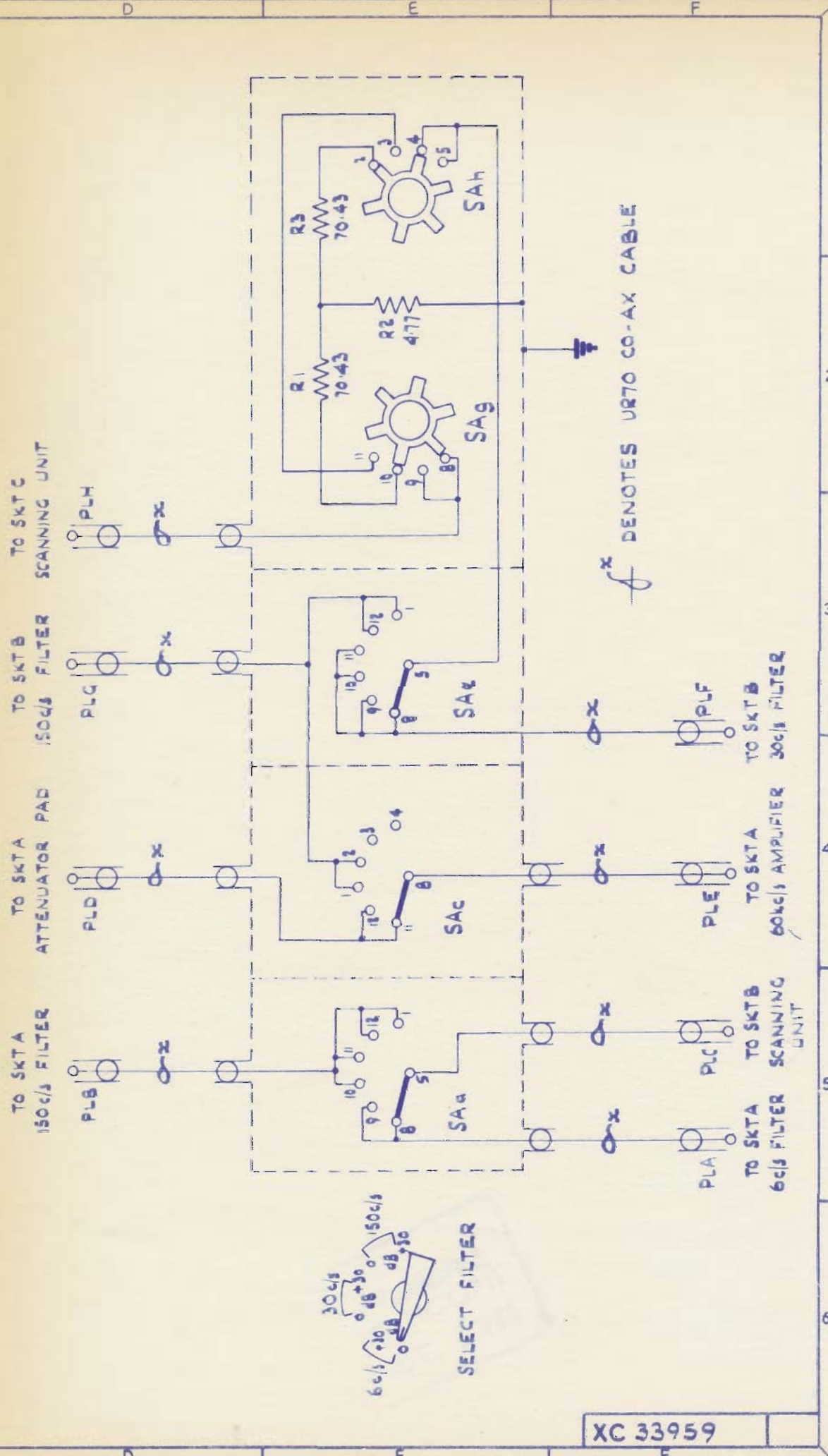
2

CIR. REF.	DESCRIPTION	GRID	STOCK LIST REF.	CIR. REF.	DESCRIPTION	GRID	STOCK LIST REF.
	<u>RESISTORS</u>						
R1	75Ω ± 2% ¼W	D5	13 TM 6508	SKT A	75Ω CO-AXIAL	D4	28 TM 6508
R2	4.7KΩ ± 10% ¼W	E2	16 TM 6508				
R3	180Ω ± 10% ¼W	D4	15 TM 6508		<u>PLUGS</u>		
R4	32.2Ω ± 2% ¼W	E3	11 TM 6508	PLA	8 - WAY	F4	29 TM 6508
R5	32.2Ω ± 2% ¼W	E3	11 TM 6508	PLB	75Ω CO-AXIAL	F3	13TM4726/135
R6	56Ω ± 2% ¼W	E3	12 TM 6508				
					<u>VALVES</u>		
				V1	6AM6	E4	36 TM 6508
	<u>RESISTORS VARIABLE</u>						
RV1	250Ω ± 10% 1W	D5	19 TM 6508				
	<u>CAPACITORS</u>						
C1	0.1μF ± 20% 400V	D4	23 TM 6508				
C2	2,200PF ± 5% 125V	E3	22 TM 6508				
C3	0.1μF ± 20% 400V	E4	23 TM 6508				
C4	0.1μF ± 20% 400V	E3	23 TM 6508				
	<u>TRANSFORMERS</u>						
T1	60Kc/s	E3	27 TM 6508				

DRAWN L.T.H.	CHKD	USED ON OA 1094A TM 6508	COMPONENT LIST XC 33958
DATE 26.10.60.	APPD. 41	SHT. 1 OF 1 SHTS.	
TRACED MS.	MARCONI INSTRUMENTS LTD.		

	A	B	C
1			
2			
3			
4			
5			

TITLE								SELECT FILTER SWITCH							
DRAWN		DATE		CHKD		APPD.		TRCD.		ASSEMBLY		STOCK LIST		DRAWING NUMBER	
P.H.B.		AUG. 60		<i>WRS</i>				E.M.M.		TD34561		TM654B		XC33959	
MARCONI INSTRUMENTS LTD.														SHEET 1 OF 1 SHEETS	
A				B				C							



2
3
4
5
6

XC 33959

CIR. REF.	DESCRIPTION	GRID	STOCK LIST REF.	CIR. REF.	DESCRIPTION	GRID	STOCK LIST REF.
	<u>RESISTORS</u>						
R1	$\frac{1}{2}W$ 70-43 Ω \pm 1%	E2	20.TM6548				
R2	$\frac{1}{2}W$ 4-77 Ω \pm 1%	E2	21.TM6548				
R3	$\frac{1}{2}W$ 70-43 Ω \pm 1%	E1	20.TM6548				
	<u>PLUGS.</u>						
PLA	Co-AXIAL	F5	3.TM4726/142				
PLB	Co-AXIAL	D5	4.TM4726/138				
PLC	Co-AXIAL	F5	3.TM4726/141				
PLD	Co-AXIAL	D4	4.TM4726/139				
PLE	Co-AXIAL	F4	3.TM4726/143				
PLF	Co-AXIAL	F3	3.TM4726/144				
PLG	Co-AXIAL	D3	3.TM4726/140				
PLH	Co-AXIAL	D3	3.TM4726/145				
	<u>SWITCH</u>						
SA	5 SECT. 6 WAY	E 1-5	19.TM6548				

DRAWN. BOTTOMS

CHKD

USED ON OA 1094A

COMPONENT LIST

DATE 4.1.61.

APPD.

SHT. 1 OF 1 SHTS.

XC 33959

TRACED MS

MARCONI INSTRUMENTS LTD.

A

B

C

1

 ^d

WIRE TC20700/5

 ^t

WIRE TC20700/29

 ^x

UR70 CO-AXIAL CABLE

2

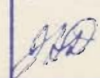
3

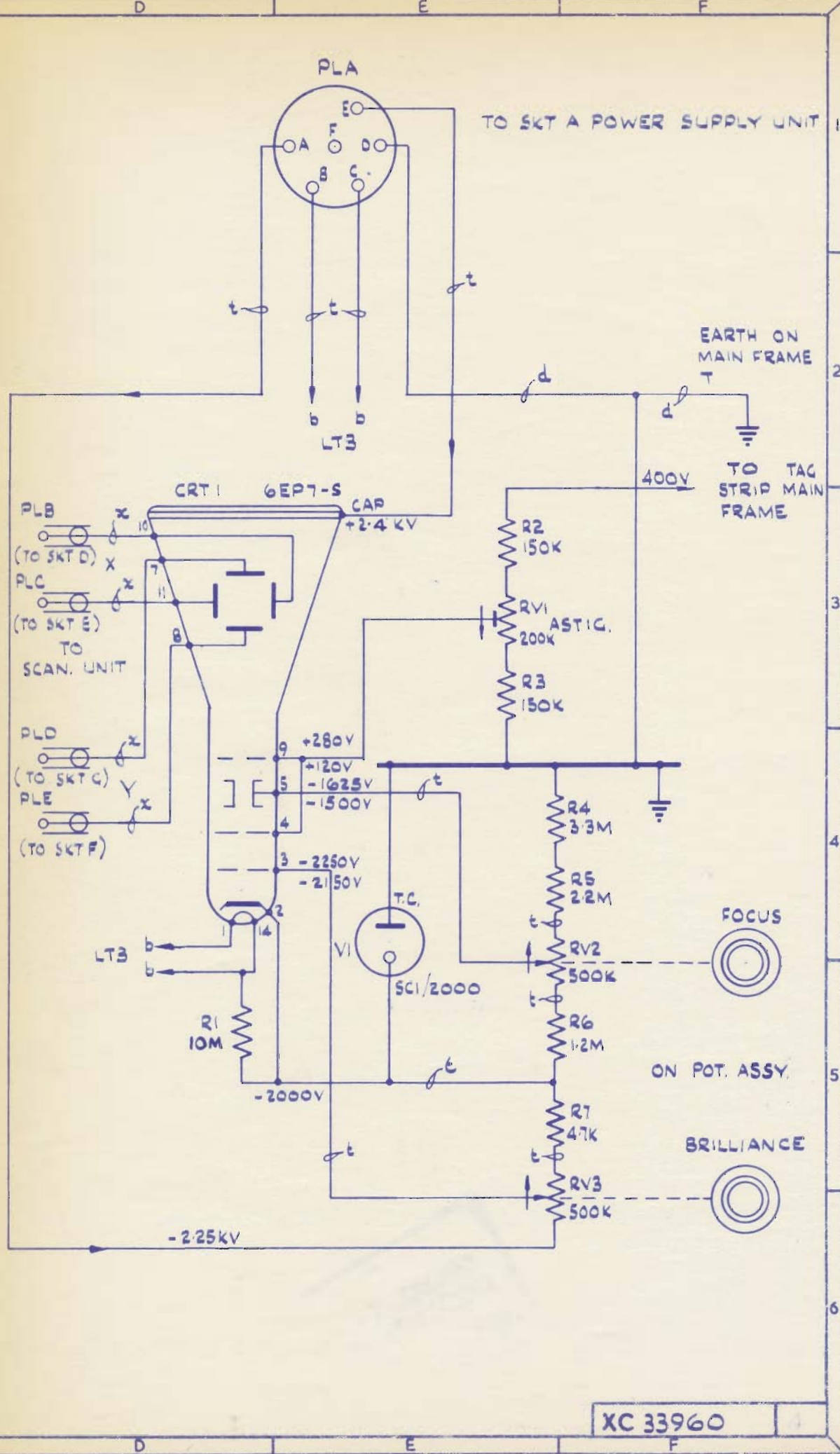
4

5

TITLE

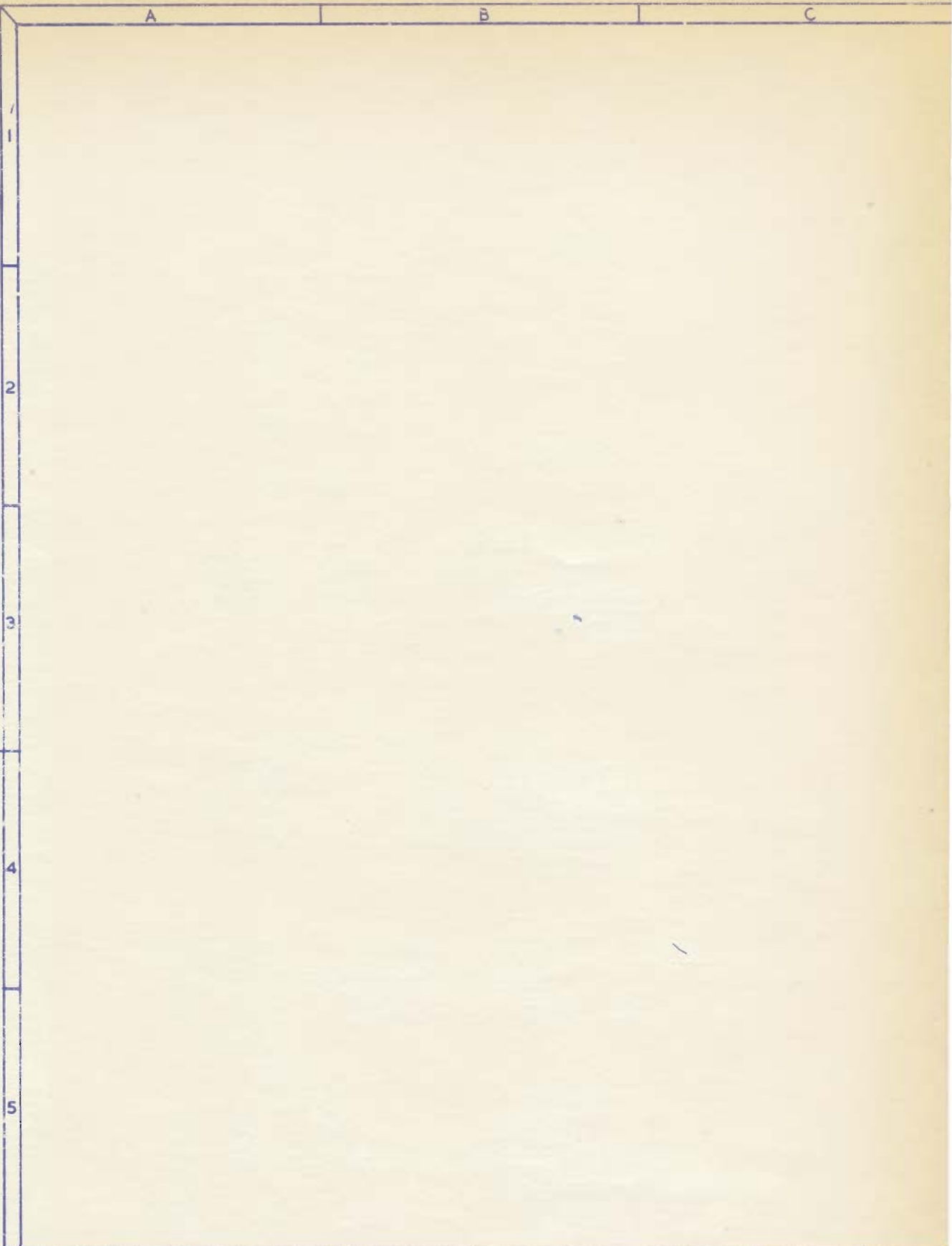
C.R.T. NETWORK

DRAWN P.H. BAKER	DATE 8-60	CHKD 	APPD:	TRCD. E.M.T.	ASSEMBLY TC 34443 +TE35500	STOCK LIST TM6531 +OA1094A	DRAWING NUMBER XC 33960
MARCONI INSTRUMENTS LTD.							SHEET 1 OF 1 SHEETS
A		B			C		



CIR. REF.	DESCRIPTION	GRID	STOCK LIST REF.	CIR. REF.	DESCRIPTION	GRID	STOCK LIST REF.
	<u>RESISTORS</u>				<u>VALVE</u>		
R1	1/4W 10 MΩ ± 10%	D5	7.TM6531	V1	5C1/2000	E4	30.TM6531
R2	1/2W 150KΩ ± 5%	E3	8TM6531				
R3	1/2W 150KΩ ± 5%	E3	8.TM6531				
R4	2W 3-3MΩ ± 2%	F4	9.TM6531		<u>CATHODE RAY TUBE</u>		
R5	1W 2-2MΩ ± 2%	F4	10.TM6531	CRT1	6EP7-S	D3	1220A1094A
R6	3/4W 1-2MΩ ± 2%	F5	11.TM6531				
R7	1/2W 4-7KΩ ± 5%	F5	12.TM6531				
	<u>VARIABLE RESISTOR</u>						
RV1	1/2W 200KΩ ± 20%	E3	16.TM6531				
RV2	3/4W 500KΩ ± 20%	F4	1060A1094A				
RV3	3/4W 500KΩ ± 20%	F5	1060A1094A				
	<u>PLUGS</u>						
PLA	6 WAY	E1	114 0A1094A				
PLB	CO-AXIAL	D3	4 TM4726/154				
PLC	CO-AXIAL	D3	4 TM4726/153				
PLD	CO-AXIAL	D4	4 TM4726/155				
PLE	CO-AXIAL	D4	1 TM4726/156				

DRAWN K. S. S. BOTTOMS	CHKD	USED ON 0A1094A.	COMPONENT LIST
DATE 9.11.60	APPD.	SHT. 1 OF 1 SHTS.	<u>XC 33960</u> ---
TRACED MS	MARCONI INSTRUMENTS LTD.		

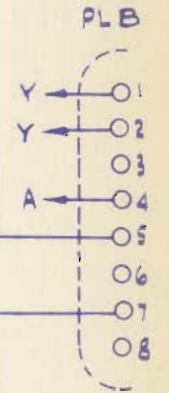
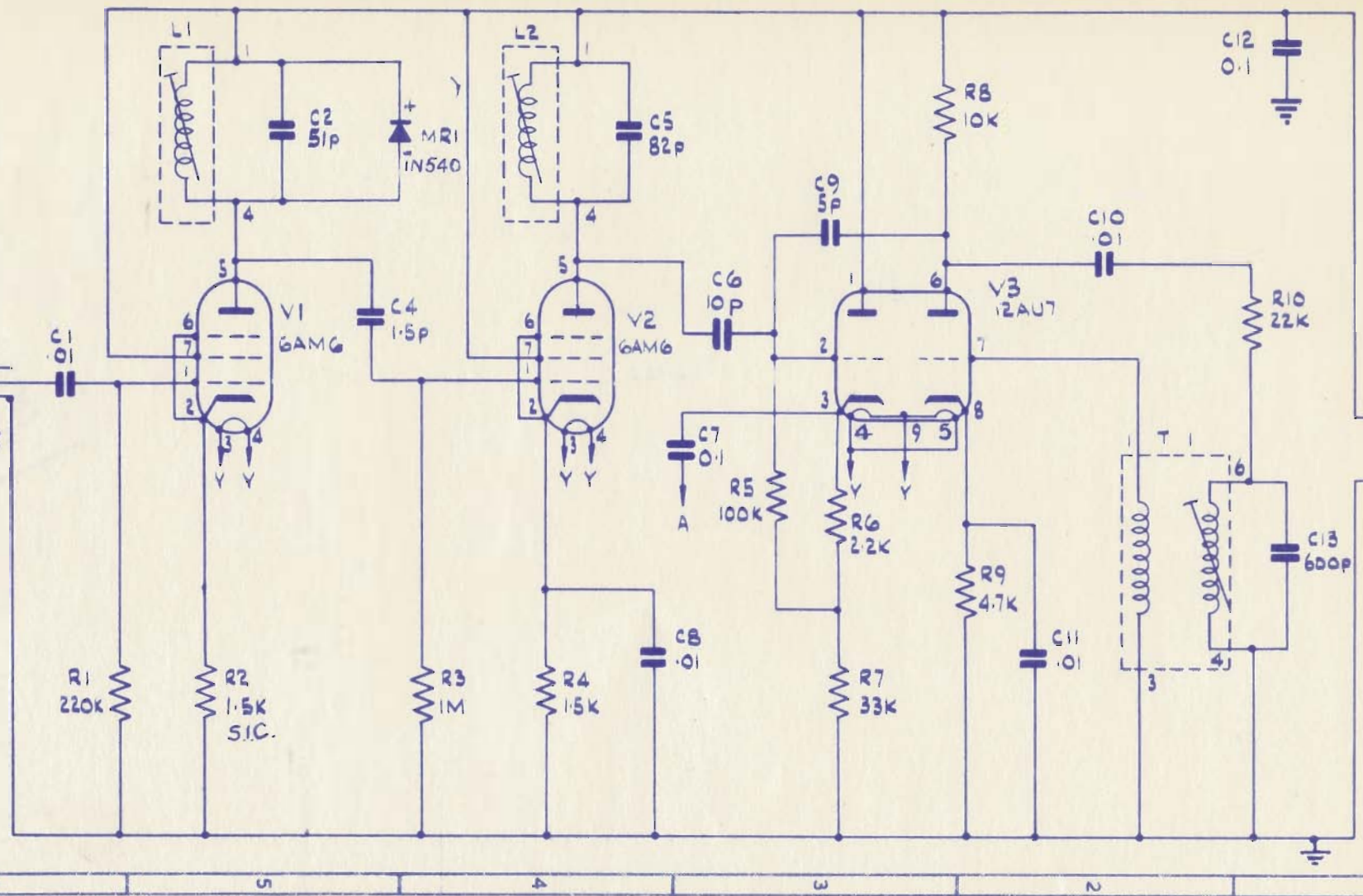


TITLE
CIRCUIT DIAGRAM FOR SOUND CHANNEL

DRAWN	DATE	CHKD	APPD.	TRCD.	ASSEMBLY	STOCK LIST	DRAWING NUMBER
R. BOTTOMS	17-10-60	<i>[Signature]</i>		E.M.T.	TD33856	TM6469	XC33937
MARCONI INSTRUMENTS LTD.							SHEET OF SHEETS
A		B			C		

XC 33937

PLA
TO SKT B.
700 Kc/s FILTER



CIR. REF.	DESCRIPTION	GRID	STOCK LIST REF.	CIR. REF.	DESCRIPTION	GRID	STOCK LIST REF.
	<u>RESISTORS</u>			C13	600pF \pm 5% 125V	E1	36 TM 6469
R1	220K Ω \pm 10% $\frac{1}{4}$ W	F6	17 TM 6469				
R2	1.5KΩ \pm 10% $\frac{1}{4}$ W SIC	F5	16 TM 6469				
R3	1M Ω \pm 10% $\frac{1}{4}$ W	F4	19 TM 6469				
R4	1.5K Ω \pm 10% $\frac{1}{4}$ W	F4	20 TM 6469		<u>INDUCTORS</u>		
R5	100K Ω \pm 10% $\frac{1}{4}$ W	E3	21 TM 6469	L1	AMPLIFIER COIL	D5	5 TM 6469
R6	2.2K Ω \pm 10% $\frac{1}{4}$ W	E3	18 TM 6469	L2	AMPLIFIER COIL	D4	5 TM 6469
R7	33K Ω \pm 10% $\frac{1}{2}$ W	F3	22 TM 6469				
R8	10K Ω \pm 10% $\frac{1}{4}$ W	D2	23 TM 6469				
R9	4.7K Ω \pm 10% $\frac{1}{4}$ W	F2	24 TM 6469		<u>TRANSFORMER</u>		
R10	22K Ω \pm 10% $\frac{1}{4}$ W	E1	25 TM 6469	T 1	OSC.	E2	6 TM 6469
					<u>PLUGS</u>		
	<u>CAPACITORS</u>			PL A	CO-AXIAL	E6	1 TM 6469
C1	.01 μ F \pm 20% 150V	E6	29 TM 6469	PL B	8 WAY	E1	42 TM 6469
C2	51pF \pm 2pF 350V	D5	38 TM 6469				
C3							
C4	1.5pF \pm $\frac{1}{4}$ pF 750V	E5	37 TM 6469				
C5	82pF \pm 2pF 350V	D4	33 TM 6469		<u>VALVES</u>		
C6	10pF \pm 1pF 350V	E3	34 TM 6469	V1	6AM6	E5	58 TM 6469
C7	.1 μ F \pm 20% 150V	E3	32 TM 6469	V2	6AM6	E4	58 TM 6469
C8	.01 μ F \pm 20% 150V	F3	29 TM 6469	V3	12AU7	E3	59 TM 6469
C9	5pF \pm 1pF 350V	D3	35 TM 6469				
C10	.01 μ F \pm 20% 400V	E2	30 TM 6469		<u>DIODE</u>		
C11	.01 μ F \pm 20% 150V	F2	29 TM 6469	MR1	IN540	D5	48 TM 6469
C12	.1 μ F \pm 20% 400V	D1	31TM6469				

DRAWN BOTTOMS

CHKD

USED ON

COMPONENT LIST

DATE 28.9.60.

APPD.

SHT. 1 OF 1 SHTS.

XC 33937 ---

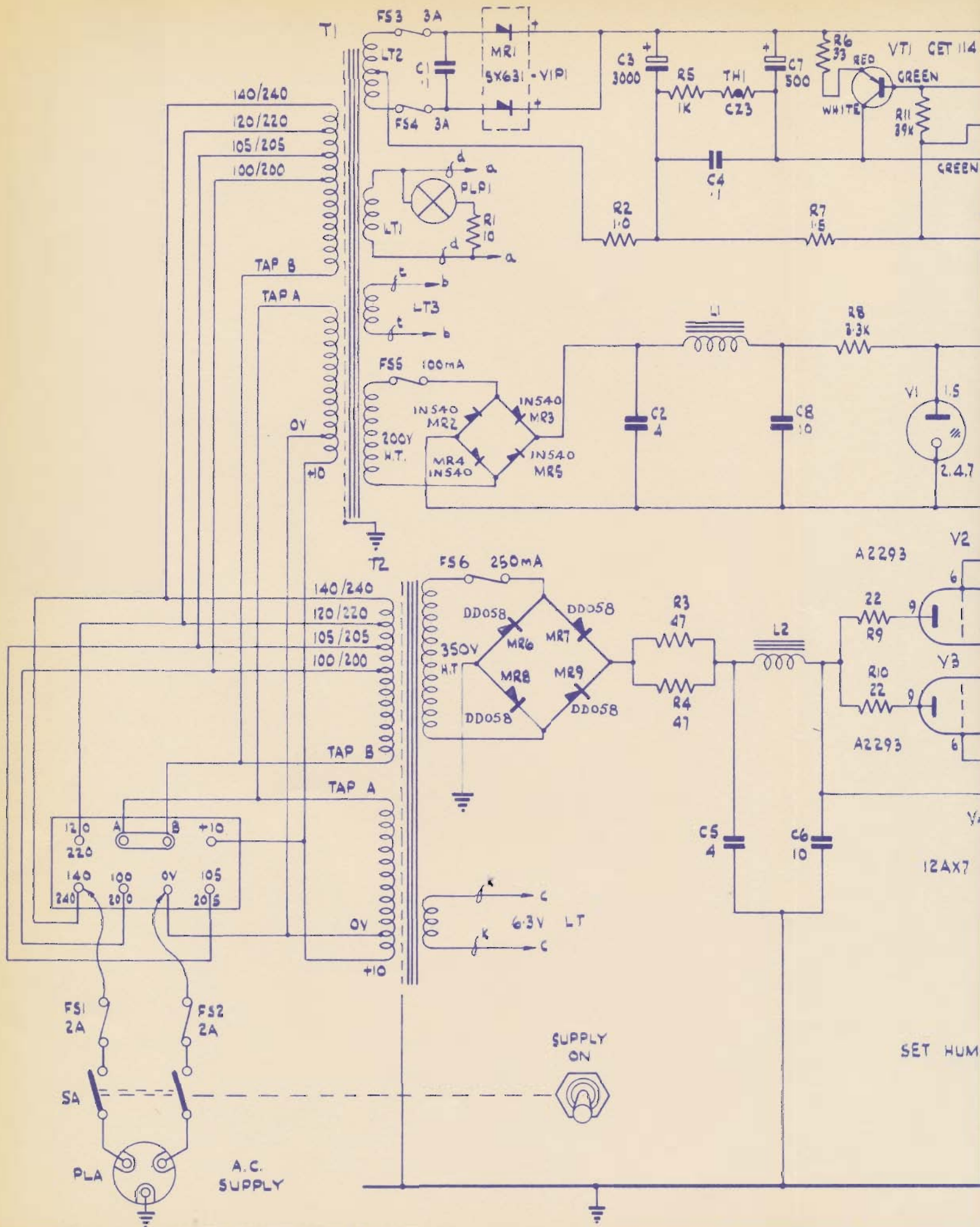
TRACED MS

MARCONI INSTRUMENTS LTD.

	A	B	C
1	g^d USE WIRE TYPE TC20700/5 g^k " " " TC20700/19 g^t " " " TC20700/29		
2			
3			
4			
5			

TITLE POWER SUPPLY UNIT

DRAWN P.H. BAKER	DATE 8-60	CHKD. 	APPD.	TRCD. E.M.T.	ASSEMBLY TE 34969	STOCK LIST TM.6580	DRAWING NUMBER XD33947
MARCONI INSTRUMENTS LTD.							SHEET 1 OF 1 SHEETS
A		B			C		



CIR. REF.	DESCRIPTION	GRID	STOCK LIST REF.	CIR. REF.	DESCRIPTION	GRID	STOCK LIST REF.
	RESISTORS.			R27	60Ω ± 10% 1/4W	J3	16 TM 6589
R1	10Ω ± 10% 1/2 W	E2	32 TM 6580	R28	470KΩ ± 10% 1/4W	K4	27 TM 6588
R2	1Ω ± 10% 5W	F2	12 TM 6588	R29	100KΩ ± 10% 1/4W	K6	24 TM 6588
R3	47Ω ± 10% 1/2W	F4	29 TM 6588	R30	1KΩ ± 10% 1/4W	K5	15 TM 6588
R4	47Ω ± 10% 1/2W	F4	29 TM 6588	R31	15KΩ ± 5% 1/4W	K4	26 TM 6588
R5	1KΩ ± 10% 1/4W	F1	15 TM 6588	R32	33KΩ ± 5% 1/4W	K5	25 TM 6588
R6	33Ω ± 10% 1/4W	G1	18 TM 6588	R33	33KΩ ± 5% 1/4W	K6	25 TM 6588
R7	1.5Ω ± 10% 10W	G2	13 TM 6588	R34	47KΩ ± 10% 1/2W	L1	18 TM 6589
R8	3.3KΩ ± 10% 3W	G2	21 TM 6589	R35	47K ± 10% 1/2W	L2	18 TM 6589
R9	22Ω ± 10% 1/2W	G4	14 TM 6588	R36	40MΩ ± 5% 2W	L1	20 TM 6589
R10	22Ω ± 10% 1/2W	G4	14 TM 6588	R37	40MΩ ± 5% 2W	L2	20 TM 6589
R11	39KΩ ± 10% 1/4W	G1	16 TM 6588	R38	40MΩ ± 5% 2W	L2	20 TM 6589
R12	1KΩ ± 10% 1/4W	H3	15 TM 6588	R39	40MΩ ± 5% 2W	L2	20 TM 6589
R13	1KΩ ± 10% 1/4W	H4	15 TM 6588				
R14	1MΩ ± 10% 1/4W	H5	21 TM 6588				
R15	1K ± 10% 1/4W	H1	15 TM 6588				
R16	220KΩ ± 10% 1/4W	H4	19 TM 6588				
R17	2.2MΩ ± 10% 1/4W	H6	17 TM 6588		RESISTORS VARIABLE		
R18	47KΩ ± 10% 1/4W	H4	20 TM 6588	RV1	100KΩ ± 20% 1/4W	H6	34 TM 6588
R19	2.2MΩ ± 10% 1/4W	H5	17 TM 6588	RV2	500Ω ± 10% 1W	H1	35 TM 6588
R20	47KΩ ± 5% 2W	H1	28 TM 6588	RV3	25KΩ ± 10% 1W	K5	36 TM 6588
R21	33KΩ ± 5% 1/4W	J4	22 TM 6588				
R22	27KΩ ± 5% 1/4W	J5	23 TM 6588				
R23	3.3KΩ ± 10% 1/2W	J1	19 TM 6589				
R24	220KΩ ± 10% 1/4W	J5	19 TM 6588		CAPACITORS.		
R25	6.8KΩ ± 10% 1/2W	J1	17 TM 6589	C1	.1μF ± 20% 150V	E1	41 TM 6588
R26	100KΩ ± 10% 1/4W	J2	15 TM 6589	C2	4μF ± 15% 250V	F3	28 TM 6589

DRAWN R.A.B.	CHKD	USED ON TM 6580 (OA 1094A)	COMPONENT LIST XD33947
DATE 26.1.61.	APPD.	SHT. 1 OF 3 SHTS.	
TRACED OKY	MARCONI INSTRUMENTS LTD.		

CIR. REF.	DESCRIPTION	GRID	STOCK LIST REF.	CIR. REF.	DESCRIPTION	GRID	STOCK LIST REF.
C3	3000µF +100% -20% 25V	F1	40 TM 6588	V2	A2293	G3	82TM 6588
C4	1µF ± 20% 150V	F1	41 TM 6588	V3	A 2293	G4	82TM 6588
C5	4µF ± 15% 500V	F5	40 TM 6580	V4	12AX7	H5	83TM 6588
C6	10µF ± 15% 500V	G5	41 TM 6580	V5	85A2	J6	84TM 6588
C7	500µF +100% -20% 25V	G1	46 TM 6588	V6	5763	K2	66 TM 6589
C8	10µF ± 15% 250V	G3	39 TM 6580	V7	12AX7	K5	83TM 6588
C9	0.01µF ± 20% 400V	H6	43 TM 6588	V8	Q/U37	K1	65 TM 6589
C10	0.25µF ± 20% 350V	J4	42 TM 6588	V9	Q/U37	K2	65 TM 6589
C11	4700PF +100% -0% 350V	J1	27 TM 6589				
C12	0.01µF ± 20% 400V	J2	29 TM 6589				
C13	1µF ± 20% 150V	J6	44 TM 6588				
C14	0.01µF +80% -20% 2KV	J1	31 TM 6589		TRANSISTORS.		
C15	0.001µF ± 20% 300V	K1	30 TM 6589	VT1	GET 114	G1	55TM 6588
C16	4700PF +100% -0% 350V	K3	27 TM 6589	VT2	GET 115	H1	54TM 6588
C17	4700PF +100% -0% 350V	K3	27 TM 6589	VT3	2 N 456	H2	53TM 6588
C18	0.25µF ± 20% 350V	K4	42 TM 6588				
C19	4µF ± 15% 400V	L5	45 TM 6588				
C20	5000PF +80% -20% 3KV	L2	32 TM 6589				
C21	5000PF +80% -20% 3KV	L2	32 TM 6589		SWITCH		
C22	5000PF +80% -20% 3 KV	L2	32 TM 6589	SA	D.P.D.T. MAINS.	D6	49 TM 6580
C23	5000PF +80% -20% 3 KV	L2	32 TM 6589				
					TRANSFORMERS.		
				T1	MAINS INPUT	E2	4 TM 6580
	VALVES.			T2	MAINS INPUT	E4	5 TM 6580
V1	0A2	G3	64 TM 6589	T3	EHT	K1	37 TM 6589

DRAWN R.A.B.	CHKD	USED ON TM 6580 (0A 1094A)	COMPONENT LIST XD 33947
DATE 26.1.51.	APPD.	SHT. 2 OF 3 SHTS.	
TRACED PKY	MARCONI INSTRUMENTS LTD.		

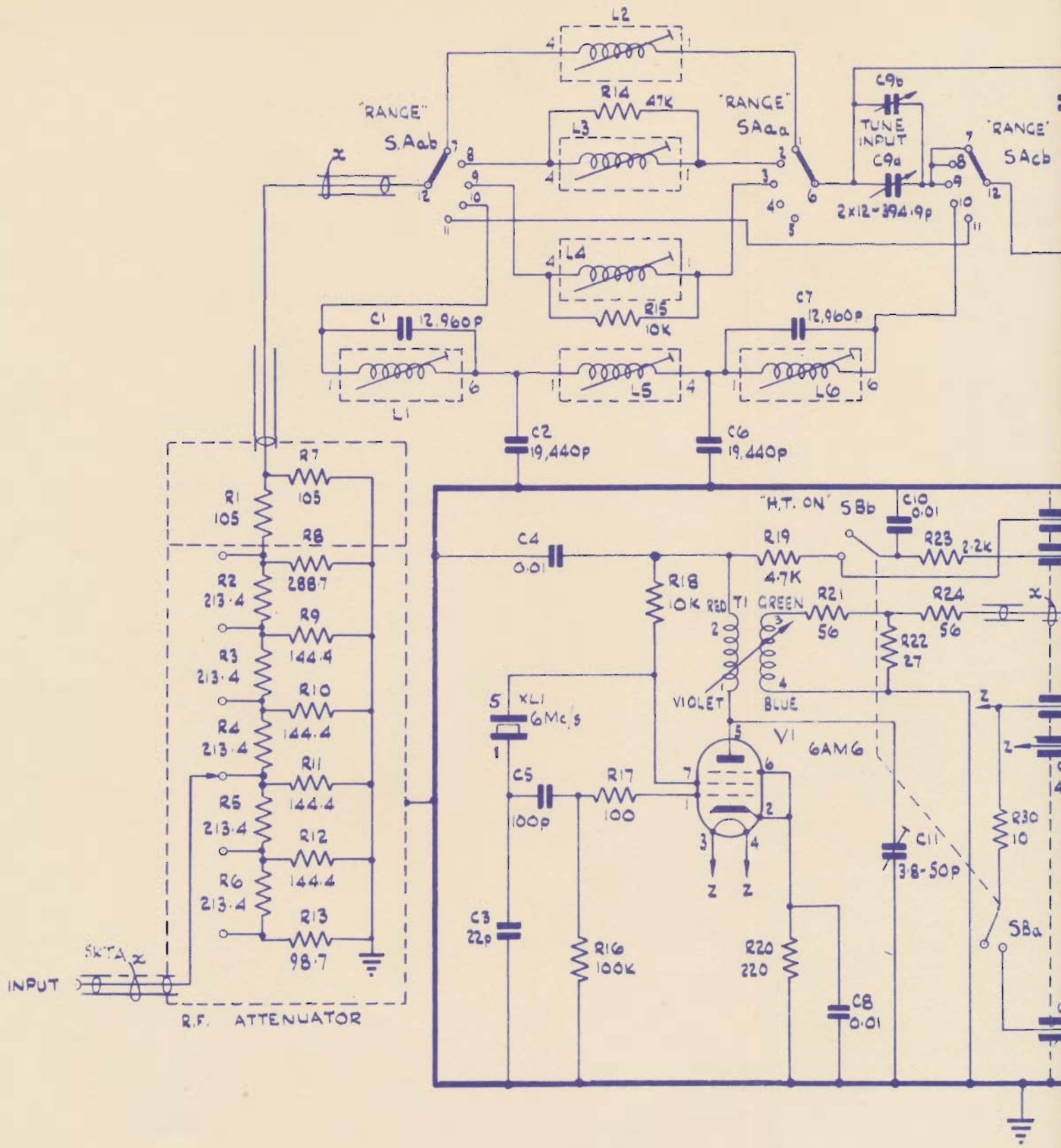
CIR. REF.	DESCRIPTION	GRID	STOCK LIST REF.	CIR. REF.	DESCRIPTION	GRID	STOCK LIST REF.
					SOCKETS.		
	PILOT LAMP.			SKA	6 WAY	M2	46 TM 6589
PLD1	6-3V 0-15A	E1	37 TM 6580	SKB	6 WAY	M5	58 TM 6588
				SKT.C	2 WAY	M4	53 TM 6580
	FUSES.						
FS1	2A	D5	45 TM 6580		RECTIFIERS.		
FS2	2A	D5	45 TM 6580	MR1	SX 631 - VIPI	E1	51 TM 6588
F33	3A	E1	46 TM 6580	MR2	IN 540	E3	41 TM 6589
FS4	3A	E1	46 TM 6580	MR3	IN 540	F3	41 TM 6589
FS5	100MA	E2	43 TM 6580	MR4	IN 540	E3	41 TM 6589
FS6	250MA	E3	44 TM 6580	MR5	IN 540	F3	41 TM 6589
				MR6	DD 058	F4	52 TM 6588
				MR7	DD 058	F4	52 TM 6588
				MR8	DD 058	F4	52 TM 6588
	INDUCTORS.			MR9	DD 058	F4	52 TM 6588
L1	25H CHOKE	F2	40 TM 6589				
L2	10H CHOKE	G4	35 TM 6580				
L3	RF CHOKE	J1	34 TM 6589				
					THERMISTOR.		
				TH1	CZ3	F1	50 TM 6588
	PLUG.						
PLA	3 WAY MAINS.	D6	54 TM 6580				

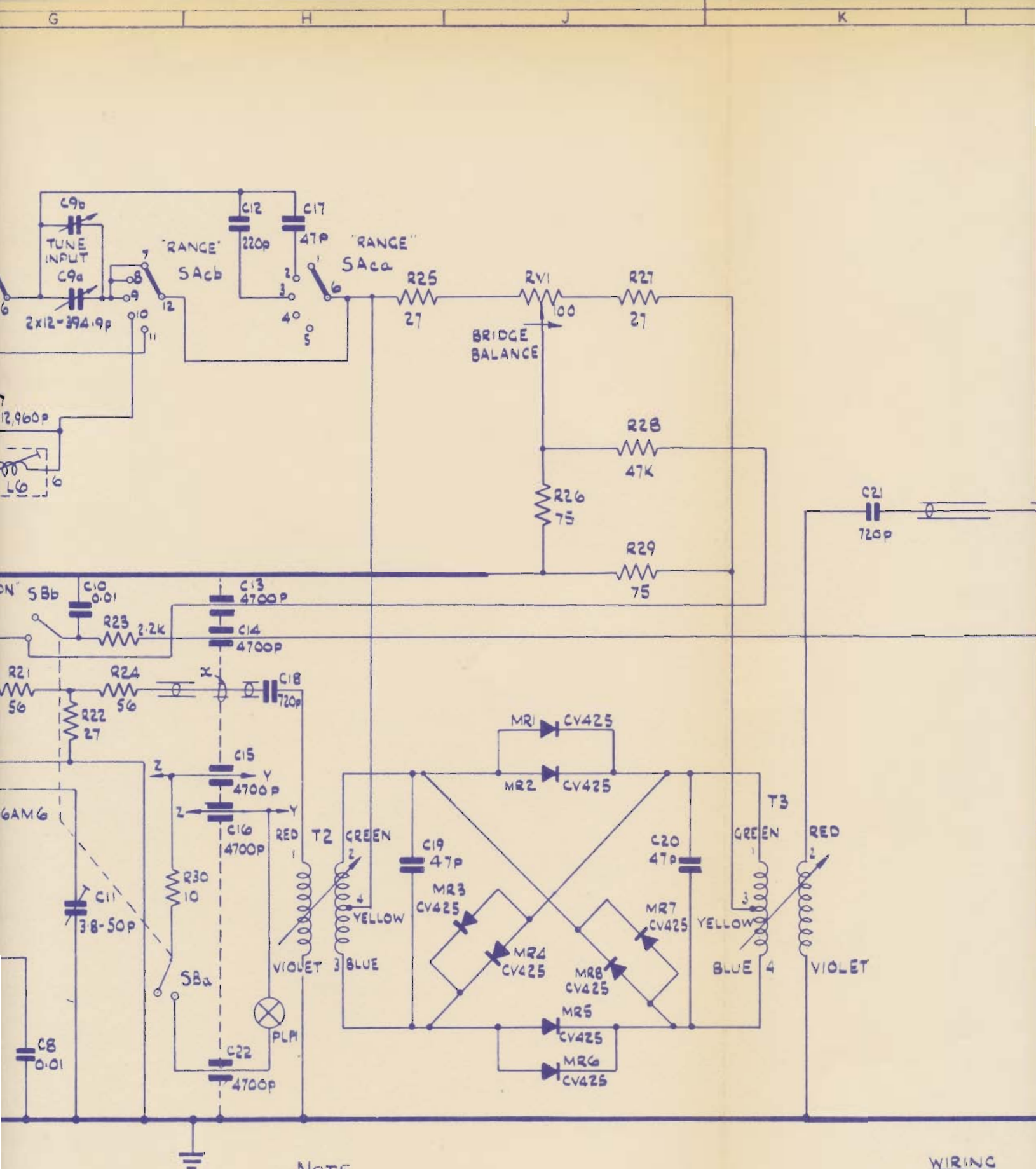
DRAWN R.A.B.	CHKD	USED ON TM 6580 (OA 10340)	COMPONENT LIST XD33947
DATE 26.1.61.	APPD. <i>[Signature]</i>	SHT. 3 OF 3 SHTS.	
TRACED PKY	MARCONI INSTRUMENTS LTD.		



TITLE
CIRCUIT DIAGRAM FOR L.F. EXTENSION UNIT

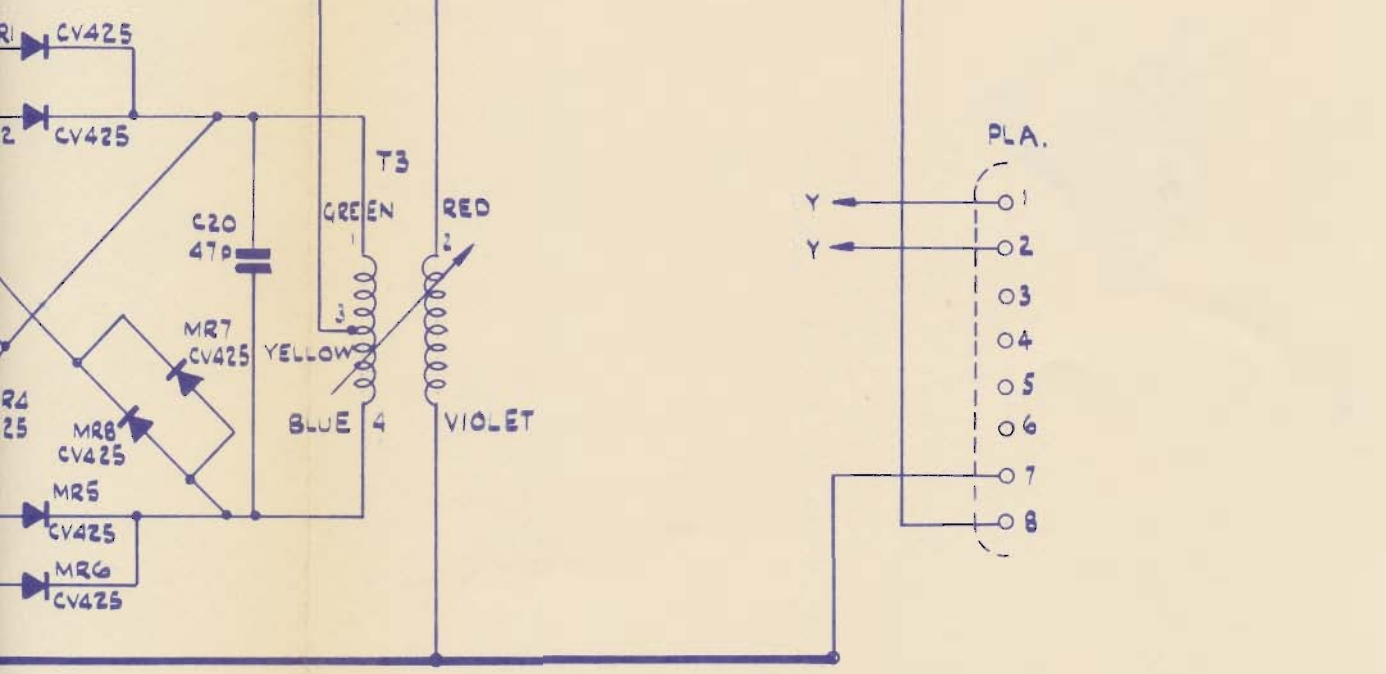
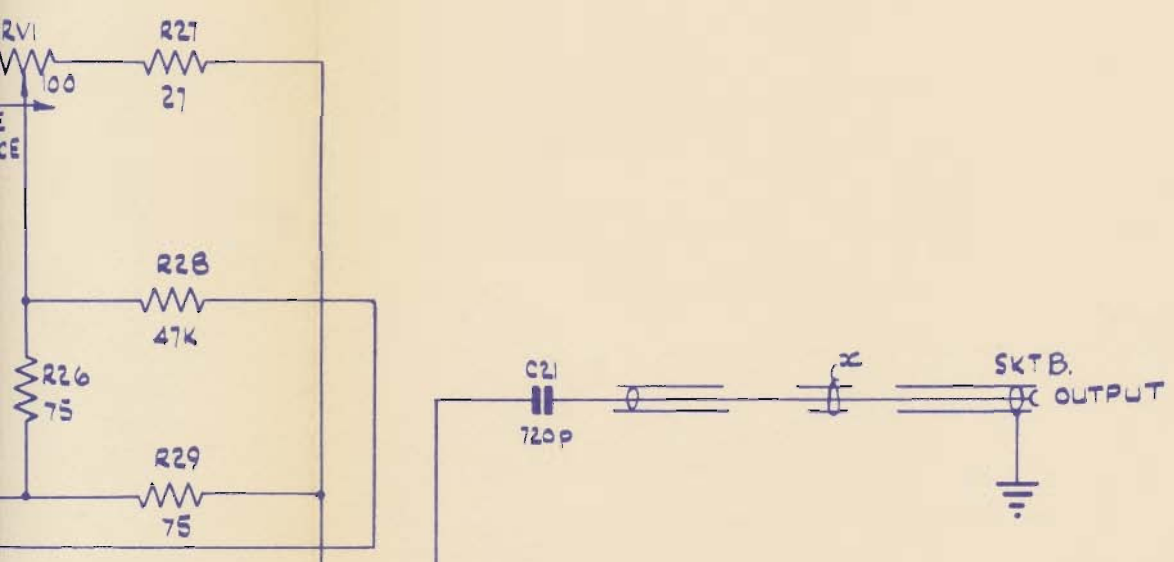
DRAWN R. BOTTOMS	DATE 18.10.60	CHKD. <i>J.P.D.</i>	APPD.	TRCD. E.M.T.	ASSEMBLY TD 33666	STOCK LIST TM 6448	DRAWING NUMBER XD33950
MARCONI INSTRUMENTS LTD.							SHEET OF SHEETS
A			B			C	





NOTE
 DIODES MR1 TO MR8 ARE TO BE SELECTED
 IN PAIRS SO THAT A CURRENT OF $16\text{ mA} \pm 1\text{ mA}$
 FLOWS WHEN APPLYING 1 VOLT ACROSS THE PAIR

WIRING
 ALL WIRING
 UR70 CO-



ARE TO BE SELECTED
 CURRENT OF 16 mA ± 1mA
 1 VOLT ACROSS THE PAIR

WIRING
 ALL WIRING TO BE TO TC20700/20 7/0076
 UR70 CO-AX CABLE DENOTED THUS

XD33950

CIR. REF.	DESCRIPTION	GRID	STOCK LIST REF.	CIR. REF.	DESCRIPTION	GRID	STOCK LIST REF.
	<u>RESISTORS</u>			R27	$\frac{1}{4}W$ 27 Ω \pm 10%	J2	39 TM 6448
R1	$\frac{1}{4}W$ 105 Ω \pm 2%	E3	14 TM 6494	R28	10W 47K Ω \pm 10%	J2	41 TM 6448
R2	$\frac{1}{4}W$ 213-4 Ω \pm 1%	E3	12 TM 6494	R29	$\frac{1}{4}W$ 75 Ω \pm 5%	J3	40 TM 6448
R3	$\frac{1}{4}W$ 213-4 Ω \pm 1%	E4	12 TM 6494	R30	$\frac{1}{2}W$ 10 Ω \pm 10%	G5	43 TM 6448
R4	$\frac{1}{4}W$ 213-4 Ω \pm 1%	E4	12 TM 6494				
R5	$\frac{1}{4}W$ 213-4 Ω \pm 1%	E4	12 TM 6494				
R6	$\frac{1}{4}W$ 213-4 Ω \pm 1%	E5	12 TM 6494				
R7	$\frac{1}{4}W$ 105 Ω \pm 2%	E3	14 TM 6494		<u>RESISTOR VARIABLE</u>		
R8	$\frac{1}{4}W$ 288-7 Ω \pm 1%	E3	13 TM 6494	RV1	1W 100 Ω \pm 10%	J2	46 TM 6448
R9	$\frac{1}{4}W$ 144-4 \pm 1%	E4	11 TM 6494				
R10	$\frac{1}{4}W$ 144-4 \pm 1%	E4	11 TM 6494				
R11	$\frac{1}{4}W$ 144-4 \pm 1%	E4	11 TM 6494				
R12	$\frac{1}{4}W$ 144-4 \pm 1%	E5	11 TM 6494		<u>CAPACITORS</u>		
R13	$\frac{1}{4}W$ 98-7 Ω \pm 1%	E5	10 TM 6494	C1	12960PF \pm 1% 125V	E2	50 TM 6448
R14	$\frac{1}{4}W$ 47K Ω \pm 10%	F1	32 TM 6448	C2	19440PF \pm 1% 125V	F3	51 TM 6448
R15	$\frac{1}{4}W$ 10K Ω \pm 10%	F2	33 TM 6448	C3	22PF \pm 2PF 125V	F5	52 TM 6448
R16	$\frac{1}{4}W$ 100K Ω \pm 10%	F5	34 TM 6448	C4	.01 μ F \pm 20% 400V	F3	53 TM 6448
R17	$\frac{1}{4}W$ 100 Ω \pm 10%	F4	35 TM 6448	C5	100PF \pm 3PF 125V	F4	54 TM 6448
R18	$\frac{1}{4}W$ 10K Ω \pm 10%	F3	33 TM 6448	C6	19440PF \pm 1% 125V	G3	51 TM 6448
R19	$\frac{1}{2}W$ 4-7K Ω \pm 10%	G3	37 TM 6448	C7	12960PF \pm 1% 125V	G2	50 TM 6448
R20	$\frac{1}{2}W$ 220 Ω \pm 10%	G5	36 TM 6448	C8	.01 μ F \pm 20% 150V	G5	58 TM 6448
R21	$\frac{1}{4}W$ 56 Ω \pm 10%	G4	38 TM 6448	C9A C9B	12 - 394-9PF x 2	G2	59 TM 6448
R22	$\frac{1}{4}W$ 27 Ω \pm 10%	G4	39 TM 6448	C10	.01 μ F \pm 20% 400V	G3	53 TM 6448
R23	$\frac{1}{2}W$ 2-2K Ω \pm 10%	G3	42 TM 6448	C11	3-8 - 50PF TRIMMER	G5	60 TM 6448
R24	$\frac{1}{4}W$ 56 Ω \pm 10%	G4	38 TM 6448	C12	220PF \pm 5% 125V	H1	55 TM 6448
R25	$\frac{1}{4}W$ 27 Ω \pm 10%	H2	39 TM 6448	C13	4700PF \pm ∞ % 350V	H3	61 TM 6448
R26	$\frac{1}{4}W$ 75 Ω \pm 5%	J3	40 TM 6448	C14	4700PF \pm ∞ % 350V	H3	61 TM 6448

DRAWN R.A.B.

CHKD

USED ON OA 1094A

COMPONENT LIST

DATE 12.10.60

APPD.

SHT. 1 OF 3 SHTS.

XD33950

TRACED MS

MARCONI INSTRUMENTS LTD.

CIR. REF.	DESCRIPTION	GRID	STOCK LIST REF.	CIR. REF.	DESCRIPTION	GRID	STOCK LIST REF.
	<u>CAPACITORS (CONT.)</u>						
C15	4700PF ± 5% 350V	H4	61 TM 6448		<u>SWITCHES</u>		
C16	4700PF ± 5% 350V	H4	61 TM 6448	SA	5 Pos. 2 SECT.	G2	72 TM 6448
C17	47PF ± 2PF 125V	H1	56 TM 6448	SB	D.P.C.O.	G3	73 TM 6448
C18	720PF ± 5% 125V	H4	57 TM 6448				
C19	47PF ± 2PF 125V	H4	56 TM 6448				
C20	47PF ± 2PF 125V	J4	56 TM 6448		<u>RECTIFIERS</u>		
C21	720PF ± 5% 125V	K3	57 TM 6448	MR1	CV 425	J4	77 TM 6448
C22	4700PF ± 5% 350V.	H5	61 TM 6448	MR2	CV 425	J4	77 TM 6448
				MR3	CV 425	J5	77 TM 6448
				MR4	CV 425	J5	77 TM 6448
	<u>INDUCTORS</u>			MR5	CV 425	J5	77 TM 6448
L1	FILTER LP	E3	64 TM 6448	MR6	CV 425	J5	77 TM 6448
L2	INPUT RANGE 1	F1	65 TM 6448	MR7	CV 425	J5	77 TM 6448
L3	INPUT RANGE 2	F2	66 TM 6448	MR8	CV 425	J5	77 TM 6448
L4	INPUT RANGE 3	F2	67 TM 6448				
L5	FILTER LP	F3	68 TM 6448				
L6	FILTER LP	G3	64 TM 6448		<u>CRYSTAL</u>		
				XL1	6000 Kc/s	F4	76 TM 6448
	<u>TRANSFORMERS</u>				<u>PLUG</u>		
T1	Osc. 6 Mc/s	G4	69 TM 6448	PLA	8 WAY	L4	75 TM 6448
T2	MOD. 6 Mc/s	H4	70 TM 6448				
T3	MOD. 6 Mc/s	K4	71 TM 6448		<u>PILOT LAMP</u>		
				PLP1	6.3V .15AMP		97 TM 6448

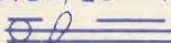
DRAWN R.A.B.	CHKD	USED ON 0A 1094A	COMPONENT LIST XD33950
DATE 12.10.60.	APPD.	SHT. 2 OF 3 SHTS.	
TRACED MS.	MARCONI INSTRUMENTS LTD.		

DRAWING No	DESCRIPTION	REMARKS
XC33952	300 Kc/s	AS DRAWN
XC 33952 / 1	3.1 Mc/s	SEE NOTE

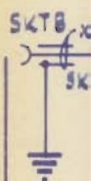
NOTE:

FOR XC33952 / 1. R7, T1, C3 AND XLI HAVE DIFFERENT VALUES. SEE COMPONENT LIST

WIRING:


HEATERS TO BE WIRED IN TC20700/1 14/0076
 ALL OTHER WIRING TO BE TC20700/20 7/0076
 UR70 CABLE DENOTED THUS 

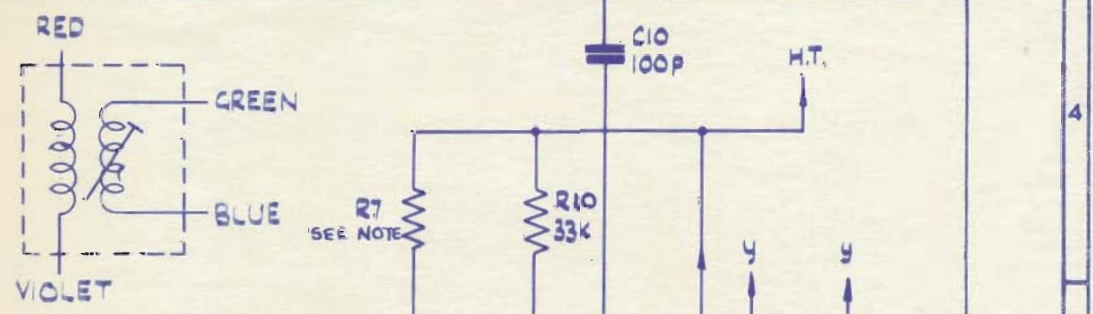
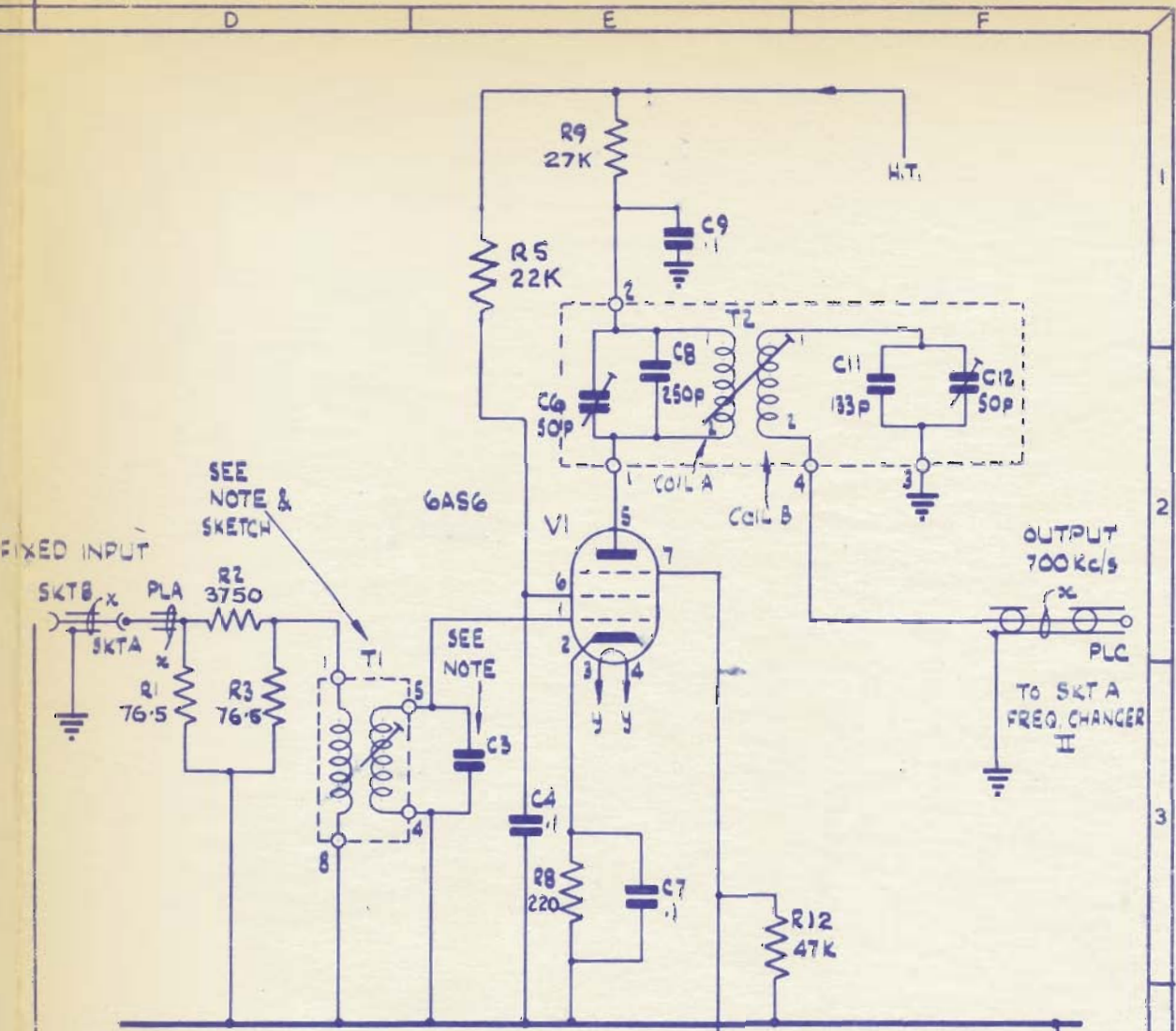
FIXED INP



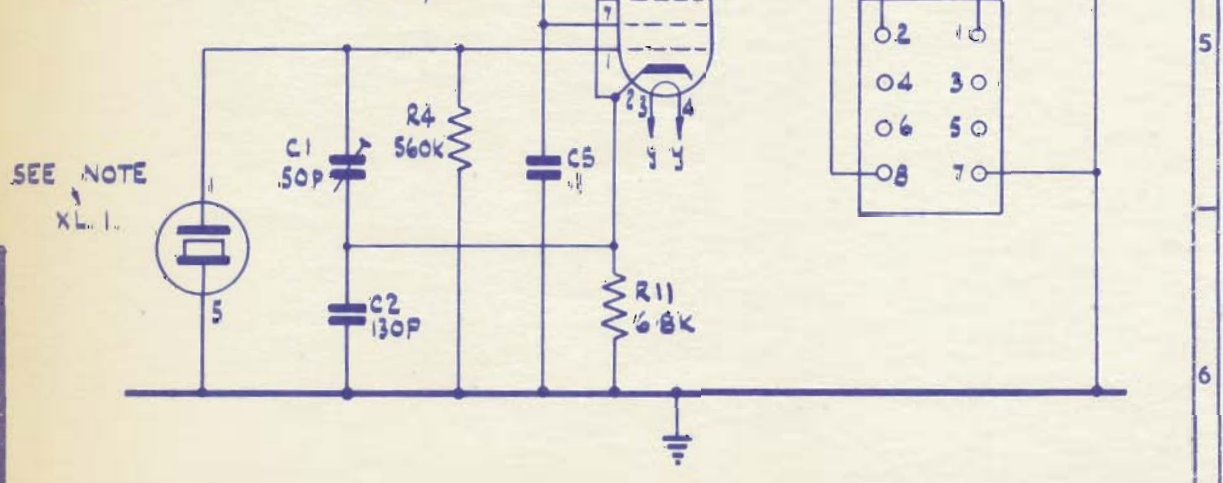
ALT
FOR

SEE N
XL

TITLE							CIRCUIT DIAGRAM FOR FIXED FREQUENCY CHARGER UNITS. 300 Kc/s & 3.1 Mc/s								
DRAWN		DATE		CHKD		APPD.		TRCD.		ASSEMBLY		STOCK LIST		DRAWING NUMBER	
P. H. BAKER		8/60						E.M.T.		TD34048 & / 1		TM6467 & / 1		XC 33952 - / 1	
MARCONI INSTRUMENTS LTD.												SHEET OF SHEETS			
A				B				C							



ALTERNATIVE ARRANGEMENT FOR T1 USED ON XC33952/1

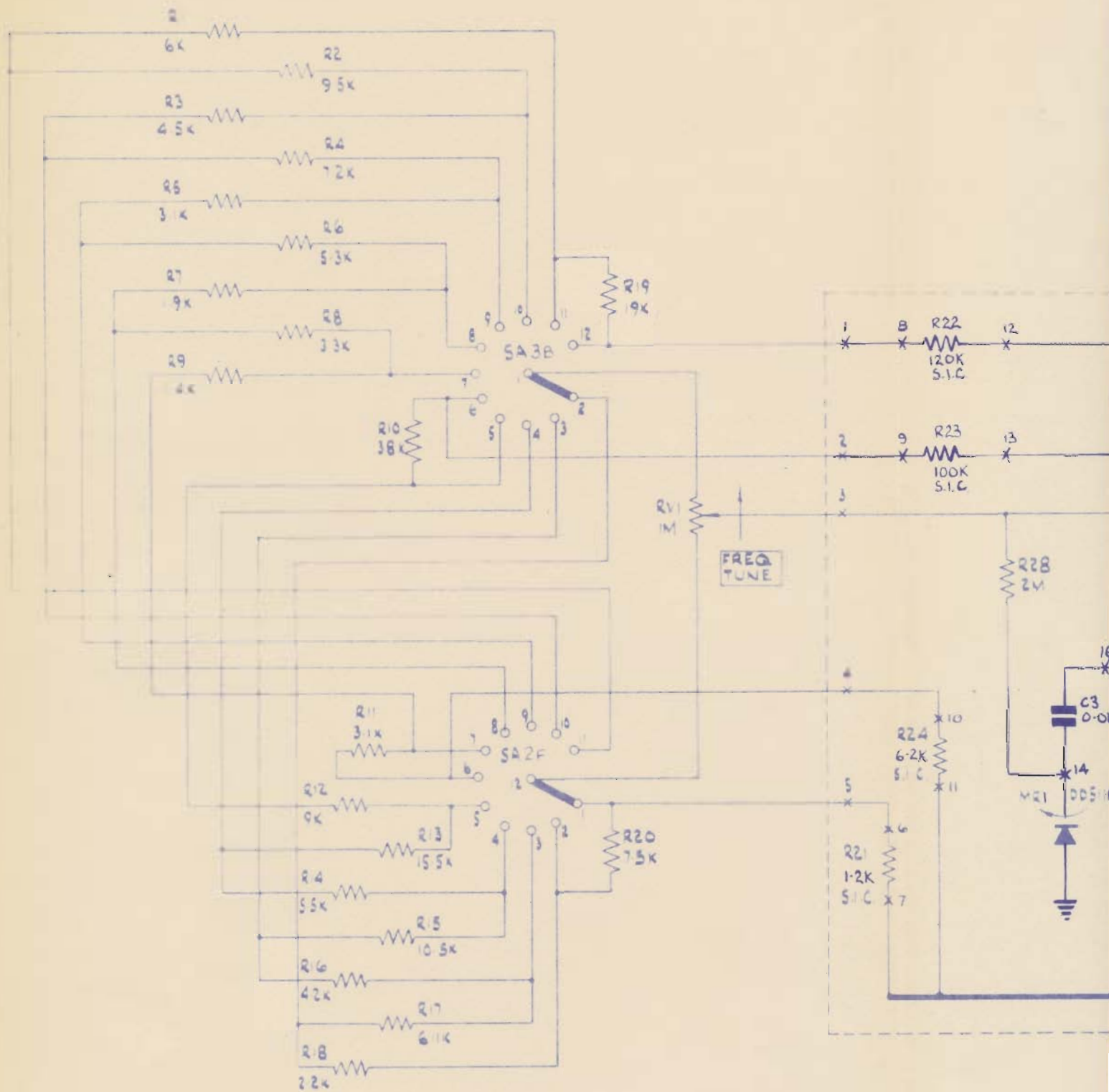


CIR. REF.	DESCRIPTION	GRID	STOCK LIST REF.	CIR. REF.	DESCRIPTION	GRID	STOCK LIST REF.
R1	76.5Ω ± 2% 1/4W	D3	15 TM6467	C9	0.1μF ± 20% 400V	E1	38 TM6467
R2	3750Ω ± 2% 1/4W	D2	16 TM6467	C10	100PF ± 5% 350V	E4	36 TM6467
R3	76.5Ω ± 2% 1/4W	D3	17 TM6476	C11	133PF ± 5% 125V	F2	12 TM6446/2.
R4	560KΩ ± 10% 1/4W	E5	24 TM6467	C12	3-8- 50PF TRIMMER	F2	6 TM6446/2
R5	22KΩ ± 5% 2W	E1	26 TM 6467				
R6							
R7	680KΩ ± 10% 1/2W	E5	27 TM6467				
R8	220Ω ± 10% 1/4W	E3	20 TM6467		<u>PLUGS.</u>		
R9	27KΩ ± 10% 1/2W	E1	28 TM6467	PL A	75Ω CO-AXIAL	D2	1 TM4726/125
R10	33KΩ ± 10% 1/4W	E4	22 TM6467	PL B	8 - WAY	F5	47 TM6467
R11	6.8KΩ ± 10% 1/4W	E6	21 TM6467	PL C	75Ω CO-AXIAL	F2	1 TM4726/124
R12	47KΩ ± 10% 1/4W	E3	23 TM6467				
					<u>CRYSTAL</u>		
				XL 1	1000K c/s.	D6	45 TM6467
					<u>TRANSFORMERS.</u>		
	<u>CAPACITORS.</u>			T1	300K c/s	D3	44 TM 6467
C1	3-8 - 50PF TRIMMER	D5	39 TM 6467	T2	700K c/s	E2	3 TM 6467
C2	130PF ± 5% 125V	D6	34 TM6467		<u>SOCKETS.</u>		
C3	22PF ± 3PF 125V	E3	33 TM6467	SKT.A	75Ω CO-AXIAL	D2	2.TM 4726/157
C4	0.1μF ± 20% 400V	E3	38 TM6467	SKT.B	75Ω CO-AXIAL	D2	110. OA 1094A
C5	0.1μF ± 20% 400V	E5	38 TM6467				
C6	3-8 - 50PF TRIMMERS	E2	6 TM6446/2		<u>VALVES.</u>		
C7	0.1μF ± 20% 400V	E3	38 TM6467	V1	6AS6	E2	57 TM6467
C8	250PF ± 5% 350V	E2	13 TM6446/2	V2	6AME	E5	58 TM6467

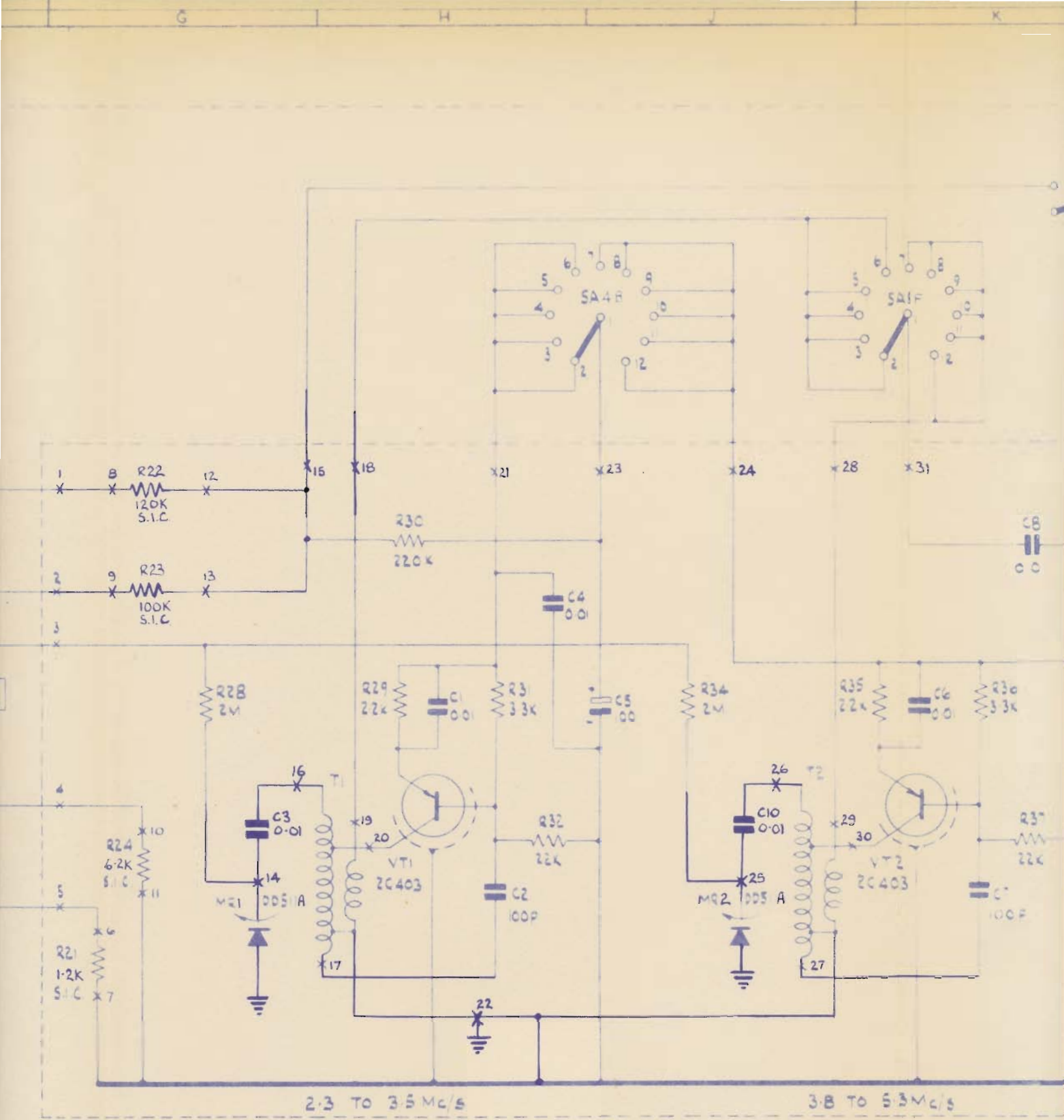
DRAWN L. T-H.	CHKD	USED ON TM 6467	COMPONENT LIST XC 33952
DATE 19.10.60.	APPD.	SHT. 1 OF 1 SHTS.	
TRACED PKY	MARCONI INSTRUMENTS LTD.		

CIR. REF.	DESCRIPTION	GRID	STOCK LIST REF.	CIR. REF.	DESCRIPTION	GRID	STOCK LIST REF.
R1	76.5Ω ± 2% 1/4W	D3	15 TM6467/1				
R2	3750Ω ± 2% 1/4W	D2	16 TM6467/1	C6	3-8 - 50PF TRIMMER	E2	6 TM6446/2
R3	76.5Ω ± 2% 1/4W	D3	17 TM6467/1	C7	0.1μF ± 20% 400V	E3	38 TM6467/1
R4	560KΩ ± 10% 1/4W	E5	24 TM6467/1	C8	250PF ± 5% 350V	E2	13 TM6446/2
R5	22KΩ ± 5% 2W	E1	26 TM6467/1	C9	0.1μF ± 20% 400V	E1	38 TM6467/1
R6				C10	100PF ± 5% 350V	E4	36 TM6467/1
R7	82KΩ ± 10% 1/4W	E5	25 TM6467/1	C11	133PF ± 5% 125V	F2	12 TM6446/2
R8	220Ω ± 10% 1/4W	E3	20 TM6467/1	C12	3-8 - 50PF TRIMMER	F2	6 TM6446/2
R9	27KΩ ± 10% 1/2W	E1	28 TM6467/1				
R10	33KΩ ± 10% 1/4W	E4	22 TM6467/1				
R11	6.8KΩ ± 10% 1/4W	E6	21 TM6467/1		PLUGS.		
R12	47KΩ ± 10% 1/4W	E3	23 TM6467/1	PL A	75Ω CO-AXIAL	D2	1 TM4726/125
				PL B	8 - WAY	F5	47 TM6467/1
				PL C	75Ω CO-AXIAL	F2	1 TM4726/124
					CRYSTAL.		
				XL 1	2.4M c/s	D6	69 TM6467/1
					TRANSFORMER.		
				T1	3.1Mc/s	D3	68 TM6467/1
				T2	700Kc/s	E2	3 TM6467/1
	CAPACITORS.				SOCKETS		
C1	3-8 - 50PF TRIMMER	D5	39 TM6467/1	SKT.A	75Ω CO-AXIAL	D2	2 TM4726/157
C2	130PF ± 5% 125V	D6	34 TM6467/1	SKT.B	75Ω CO-AXIAL	D2	110. 0A 1094A
C3	100PF ± 3PF 125V	E3	66 TM6467/1		VALVES.		
C4	0.1μF ± 20% 400V	E3	38 TM6467/1	V1	6AS6	E2	57 TM 6467/1
C5	0.1μF ± 20% 400V	E5	38 TM6467/1	V2	6AM6	E5	58 TM6467/1

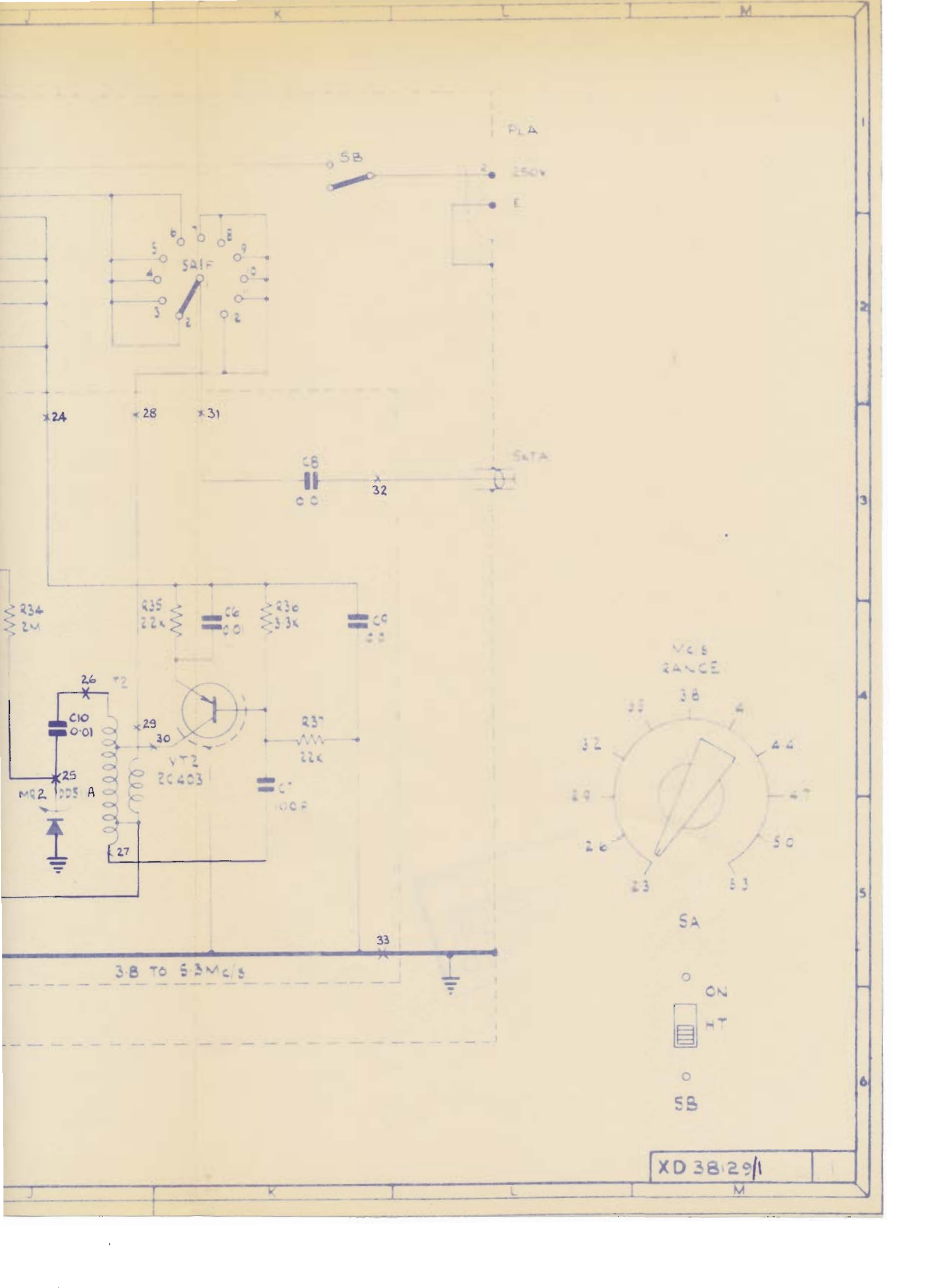
DRAWN L. T-H.	CHKD	USED ON TM 6467/1	COMPONENT. LIST XG 33952/L
DATE 19.10.60.	APPD.	SHT. 1 OF 1 SHTS.	
TRACED PKY	MARCONI INSTRUMENTS LTD.		



NOTE : ALL WIRING TO BE AS SHORT AS POSSIBLE



BE AS SHORT AS POSSIBLE TO REDUCE MICROPHONY



CIR. REF.	DESCRIPTION	GRID	STOCK LIST REF.	CIR. REF.	DESCRIPTION	GRID	STOCK LIST REF.
	<u>RESISTORS</u>			R27			
R1	5K ± 2% 1/4W/70°C	D1	24 TM 7036A	R28	2M ± 5% 1/4W/70°C	G4	13 TM 7281
R2	2.5K ± 2% 1/4W/70°C	E1	23 TM 7036A	R29	2.2K ± 10% 1/4W/55°C	H4	6 TM 7281
R3	4.5K ± 2% 1/4W/70°C	D2	21 TM 7036A	R30	220K ± 10% 1/4W/55°C	H3	12 TM 7281
R4	7.2K ± 2% 1/4W/70°C	E2	26 TM 7036A	R31	3.3K ± 10% 1/4W/55°C	H4	7 TM 7281
R5	3.1K ± 2% 1/4W/70°C	D2	19 TM 7036A	R32	22K ± 10% 1/4W/55°C	H4	9 TM 7281
R6	5.3K ± 2% 1/4W/70°C	E2	22 TM 7036A	R33			
R7	1.9K ± 2% 1/4W/70°C	D2	17 TM 7036A	R34	2M ± 5% 1/4W/70°C	J4	13 TM 7281
R8	3.3K ± 2% 1/4W/70°C	E3	35 TM 7036A	R35	2.2K ± 10% 1/4W/55°C	K4	6 TM 7281
R9	1.4K ± 2% 1/4W/70°C	D3	16 TM 7036A	R36	3.3K ± 10% 1/4W/55°C	K4	7 TM 7281
R10	38K ± 2% 1/4W/70°C	E3	33 TM 7036A	R37	22K ± 10% 1/4W/55°C	K4	9 TM 7281
R11	3.1K ± 2% 1/4W/70°C	E4	19 TM 7036A				
R12	9K ± 2% 1/4W/70°C	E4	28 TM 7036A				
R13	15.5K ± 2% 1/4W/70°C	E5	31 TM 7036A	NOTE	RESISTORS MARKED * ARE S.I.C.		
R14	5.5K ± 2% 1/4W/70°C	E5	23 TM 7036A				
R15	10.5K ± 2% 1/4W/70°C	E5	30 TM 7036A				
R16	4.2K ± 2% 1/4W/70°C	E5	20 TM 7036A				
R17	6.1K ± 2% 1/4W/70°C	F5	25 TM 7036A		<u>CAPACITORS</u>		
R18	2.2K ± 2% 1/4W/70°C	E6	18 TM 7036A	C1	0.01µF ± 20% 400VDC	H4	20 TM 7281
R19	19K ± 2% 1/4W/70°C	F2	32 TM 7036A	C2	100P ± 2% 750VDC	H4	19 TM 7281
R20	7.5K ± 7% TE 1/4W/55°C	F5	27 TM 7036A	C3	0.01µF ± 20% 400VDC	G4	20 TM 7281
* R21	1.2K ± 7% TE 1/4W/55°C	G5	5 TM 7281	C4	0.01µF ± 20% 400VDC	H3	20 TM 7281
* R22	120K ± 7% TE 1/4W/55°C	G3	11 TM 7281	C5	100µF ± 10% 25VDC	J4	21 TM 7281
* R23	100K 7% TE 1/4W/55°C	G3	10 TM 7281	C6	0.01µF ± 20% 400VDC	K4	20 TM 7281
* R24	6.2K ± 7% TE 1/4W/55°C	G4	0 TM 7281	C7	100P ± 2% 750VDC	K4	19 TM 7281
R25				C8	0.01µF ± 20% 400VDC	K3	20 TM 7281
R26				C9	0.01µF ± 20% 400VDC	K4	20 TM 7281

DRAWN	CHKD.	USED ON	COMPONENT LIST
DATE 4.3.63	APPD.	TM7036A	XD38129/1
TRACED.	SHT. 1 OF 2 SHTS.		
MARCONI INSTRUMENTS LTD.			

A

B

C

1

δ^d USE WIRE TC20700/5
 δ^k USE WIRE TC20700/19
 δ^t USE WIRE TC20700/29

2

3

4

5

TITLE INTER UNIT POWER SUPPLY CONNECTIONS OA 1094A

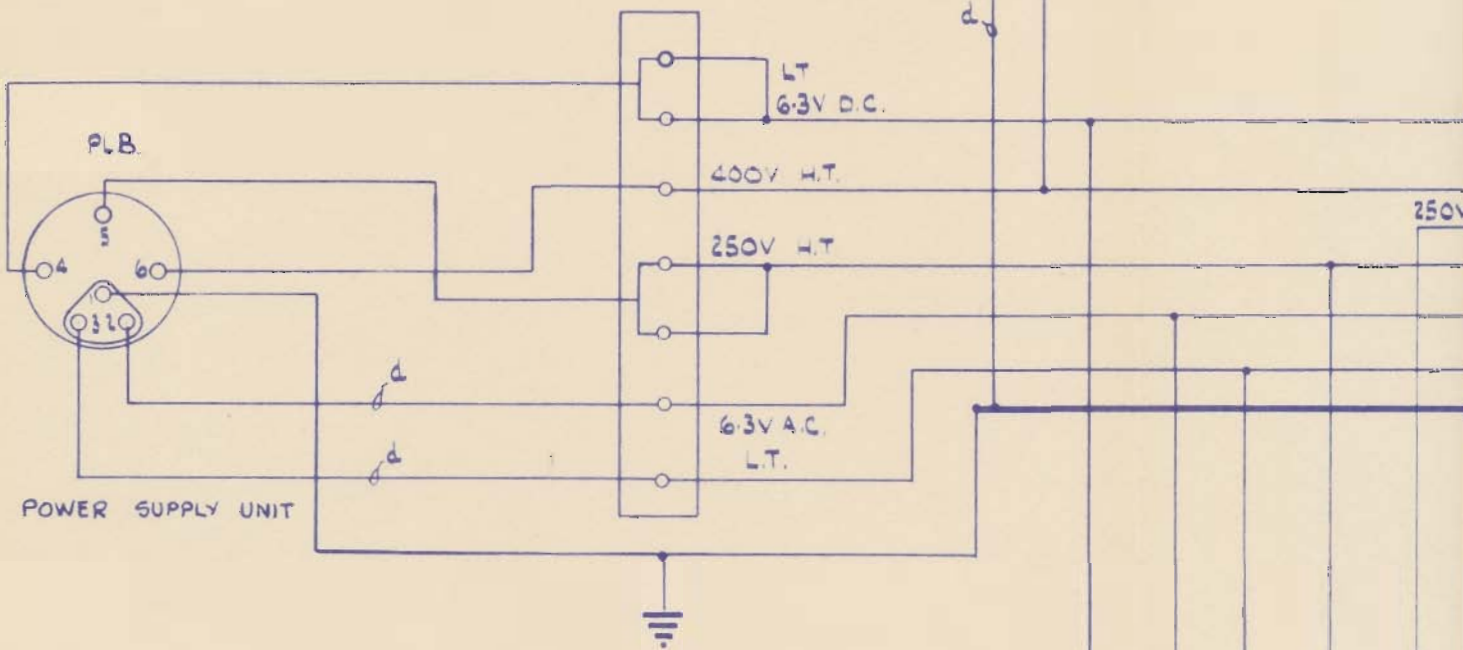
DRAWN P.H. BAKER	DATE 8-60	CHKD. <i>J.S.D.</i>	APPD.	TRCD. E.M.T.	ASSEMBLY TE 35500	STOCK LIST OA.094A	DRAWING NUMBER XD 33949
MARCONI INSTRUMENTS LTD.							SHEET 1 OF 1 SHEETS
A			B			C	

PLA



TO SKT. A POWER SUPPLY UNIT

TAG STRIP



TO SKT. B POWER SUPPLY UNIT

NOTE.

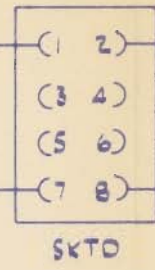
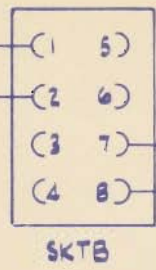
LENGTH OF CABLE EXTENDING BELOW THE INSTRUMENT FRAME MUST BE AT LEAST 20"

FREQ. CHANGER N° 1
CIRCUIT XD 33961

L.F. EXTENSION UNIT
CIRCUIT XD 33950

FIXED FREQ CHANGER
CIRCUIT XC 33952

2K
3960



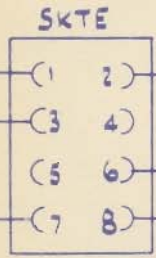
250V H.T. SWITCHED

250V H.T. SWITCHED

x
x

FREQ. CHANGER N°1
CIRCUIT XD 33961

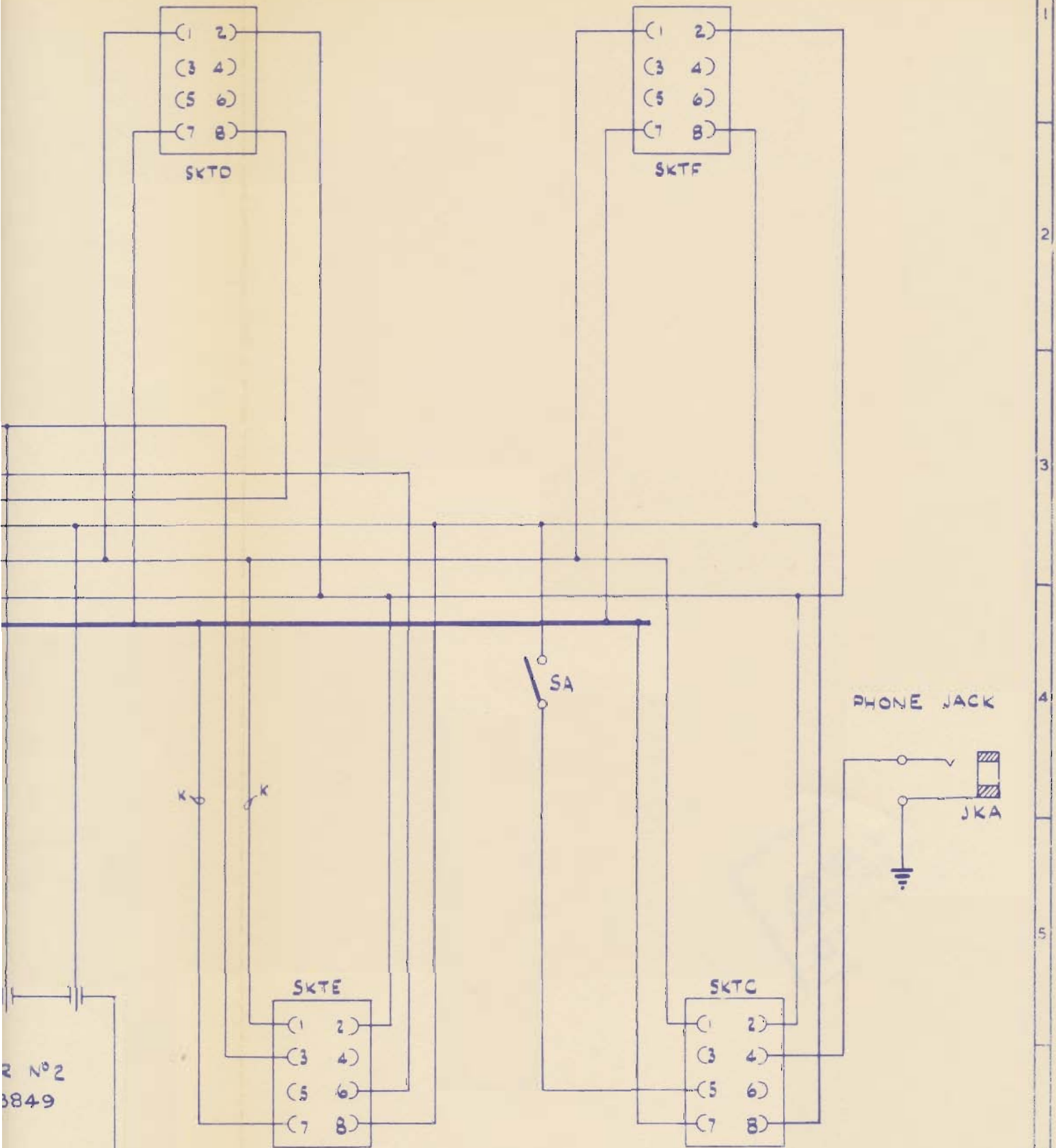
FREQ. CHANGER N°2
CIRCUIT XD 33849



SCANNING UNIT
CIRCUIT XD 33951

FIXED FREQ CHANGER
CIRCUIT XC 33952

60KC/S AMPLIFIER
CIRCUIT XC 33958



SCANNING UNIT
CIRCUIT XD 33951

SOUND CHANNEL
CIRCUIT XC 33937

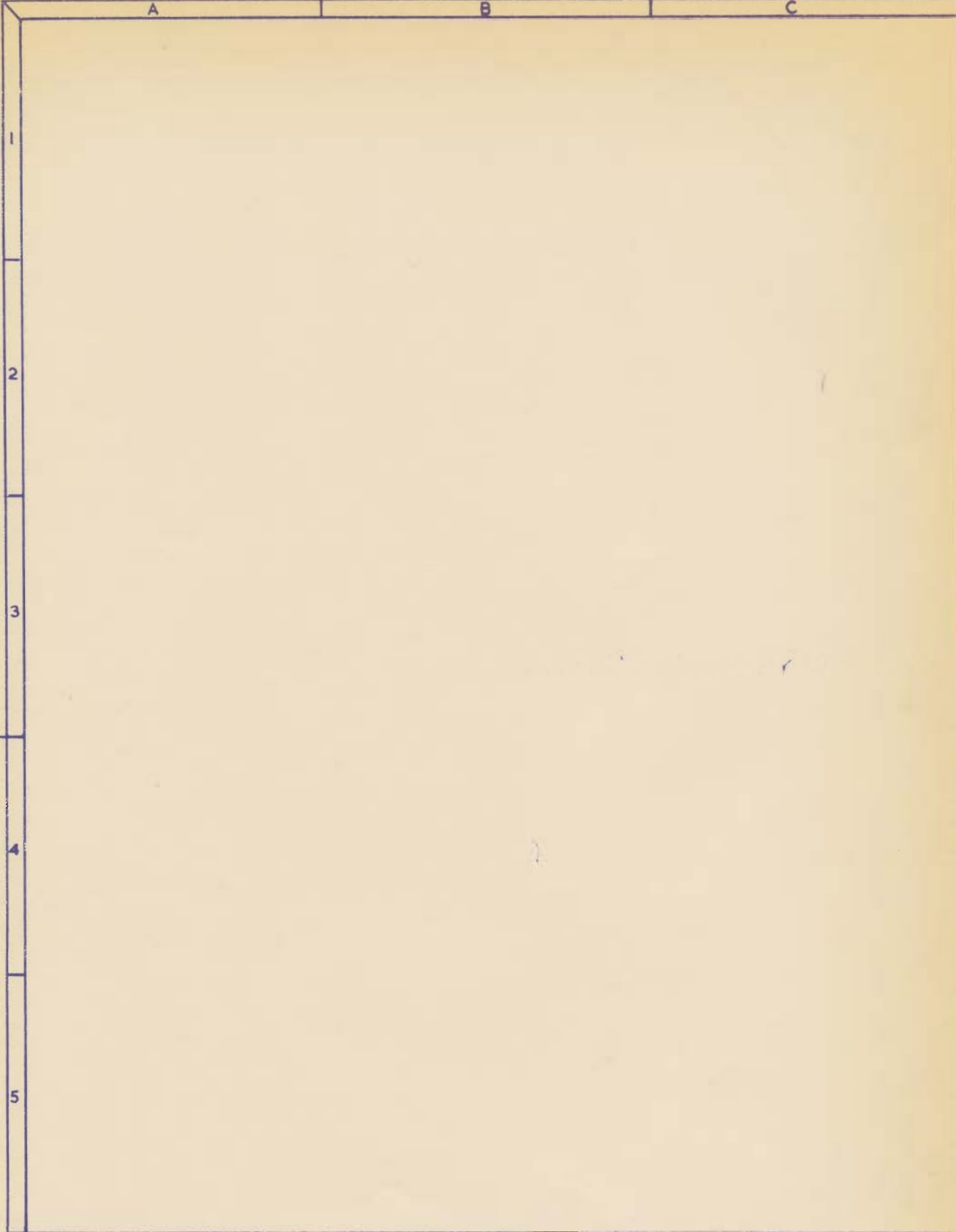
XD 33949

R No 2
3849

1
2
3
4
5
6

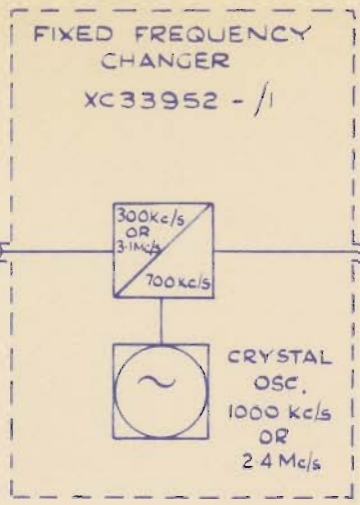
CIR. REF.	DESCRIPTION	GRID	STOCK LIST REF.	CIR. REF.	DESCRIPTION	GRID	STOCK LIST REF.
	PLUGS.						
PLA	6 PIN 19A 2.5KV	D1	114 0A1094A				
PLB	6 PIN 5A 500V	D3	113 0A1094A				
	SOCKETS.						
SKTB	8- WAY	H1	118 0A1094A				
SKTD	8- WAY	J1	117 0A1094A				
SKTE	8- WAY	K5	117 0A1094A				
SKTF	8- WAY	L1	117 0A1094A				
SKTG	8- WAY	L5	117 0A1094A				
	SWITCH						
SA	D.P.D.T.	L4	105 0A1094A				
	JACKS.						
JKA	PHONE	M4	108 0A1094A				

DRAWN L. T-HEALD.	CHKD	USED ON 0A 1094A	COMPONENT LIST XD 33949
DATE 29.3.61.	APPD. <i>[Signature]</i>	SHT. 1 OF 1 SHTS.	
TRACED	MARCONI INSTRUMENTS LTD.		

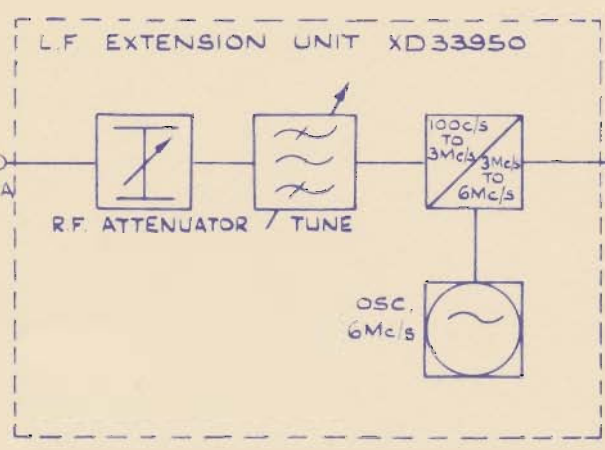
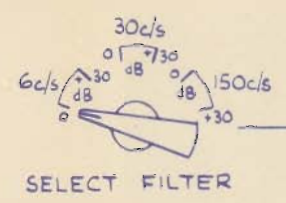


TITLE H.F. SPECTRUM ANALYSER OA1094A & OA1094A/1
CIRCUIT INTERCONNECTION DIAGRAM.

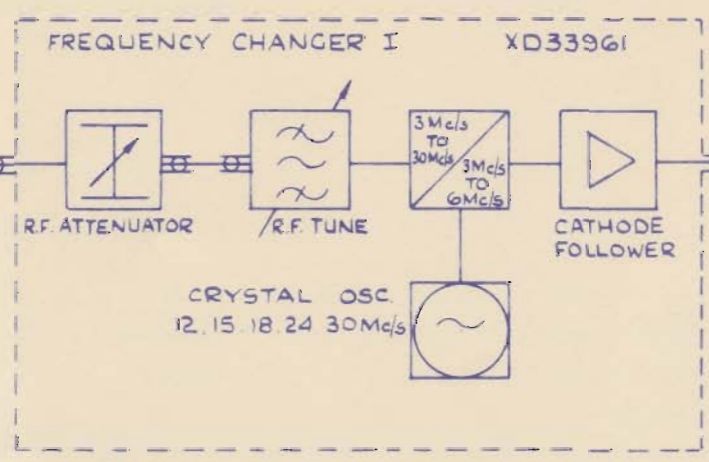
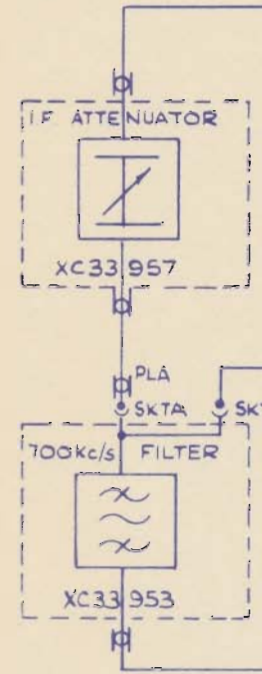
DRAWN R. PIKE	DATE 25-1-61	CHKD. <i>JSD</i>	APPD.	TRCD. E.M.T.	ASSEMBLY TE 35500	STOCK LIST OA1094A	DRAWING NUMBER XD33948
MARCONI INSTRUMENTS LTD.							SHEET 1 OF 1 SHEETS
A		B			C		



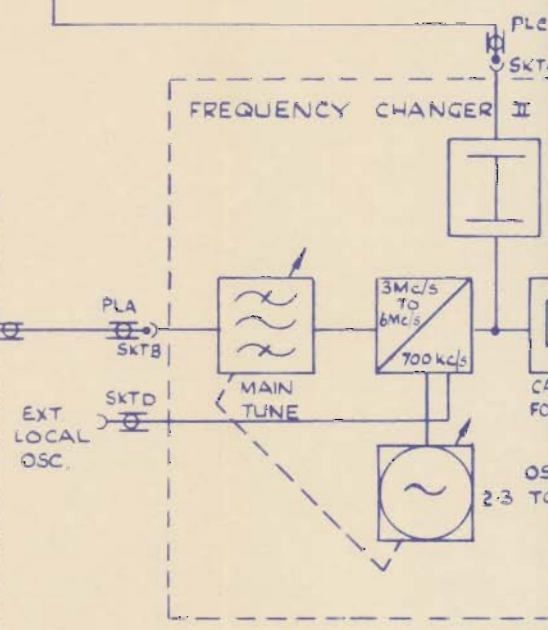
FIXED INPUT
300 kc/s
OR
3.1 Mc/s
+118dB / 1 μ V

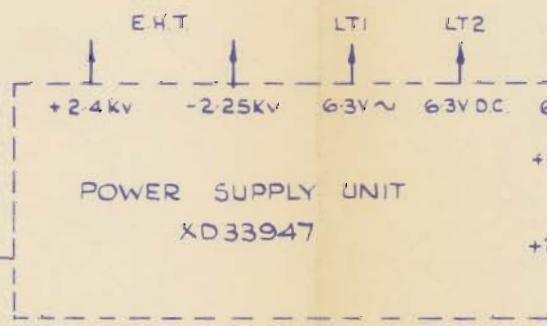
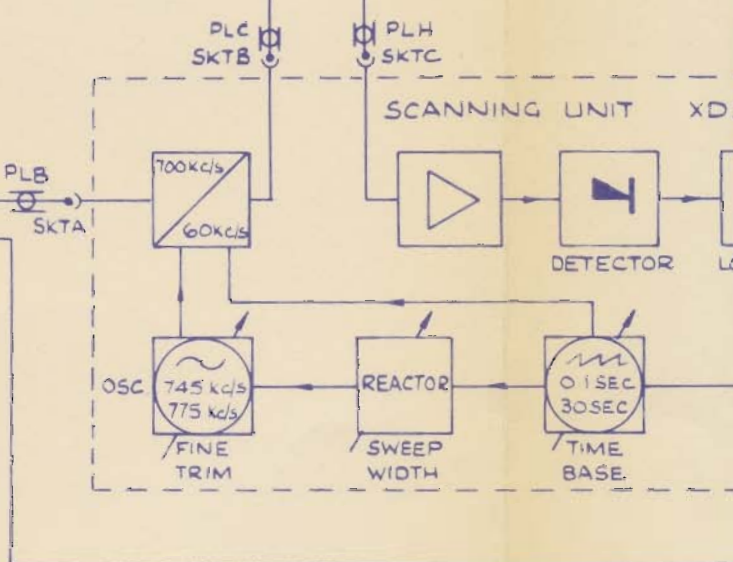
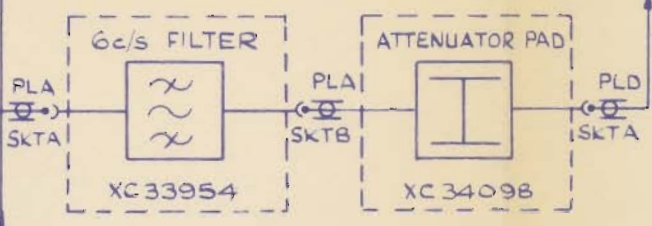
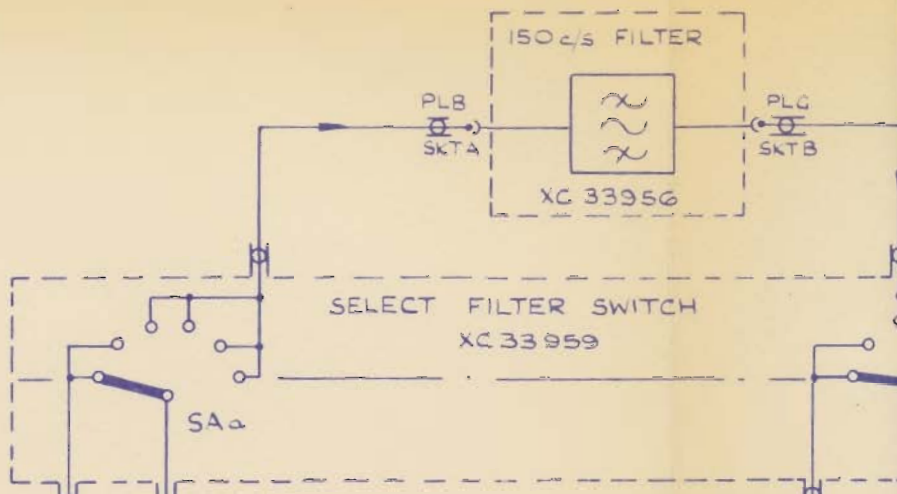
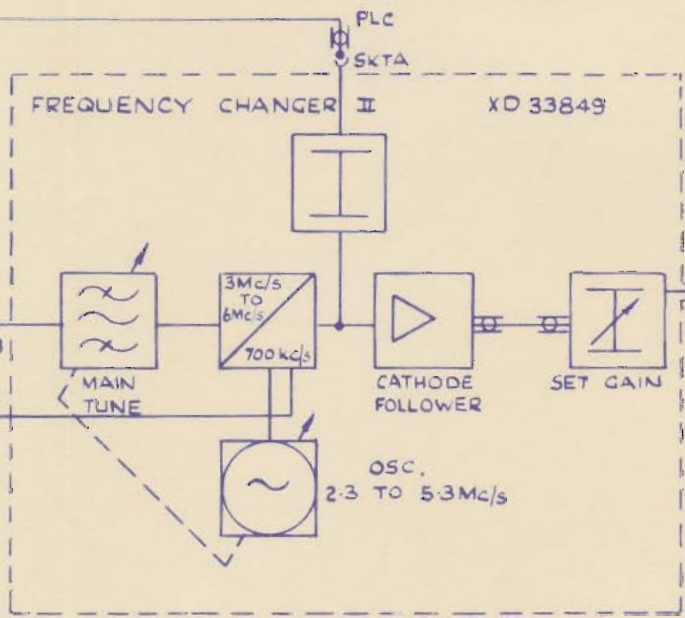
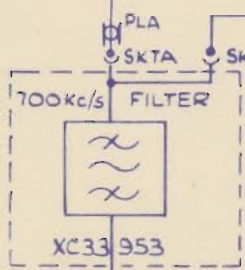
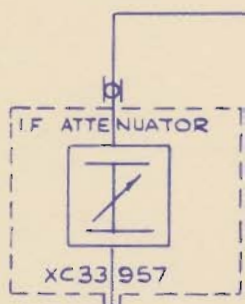
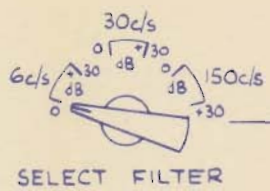


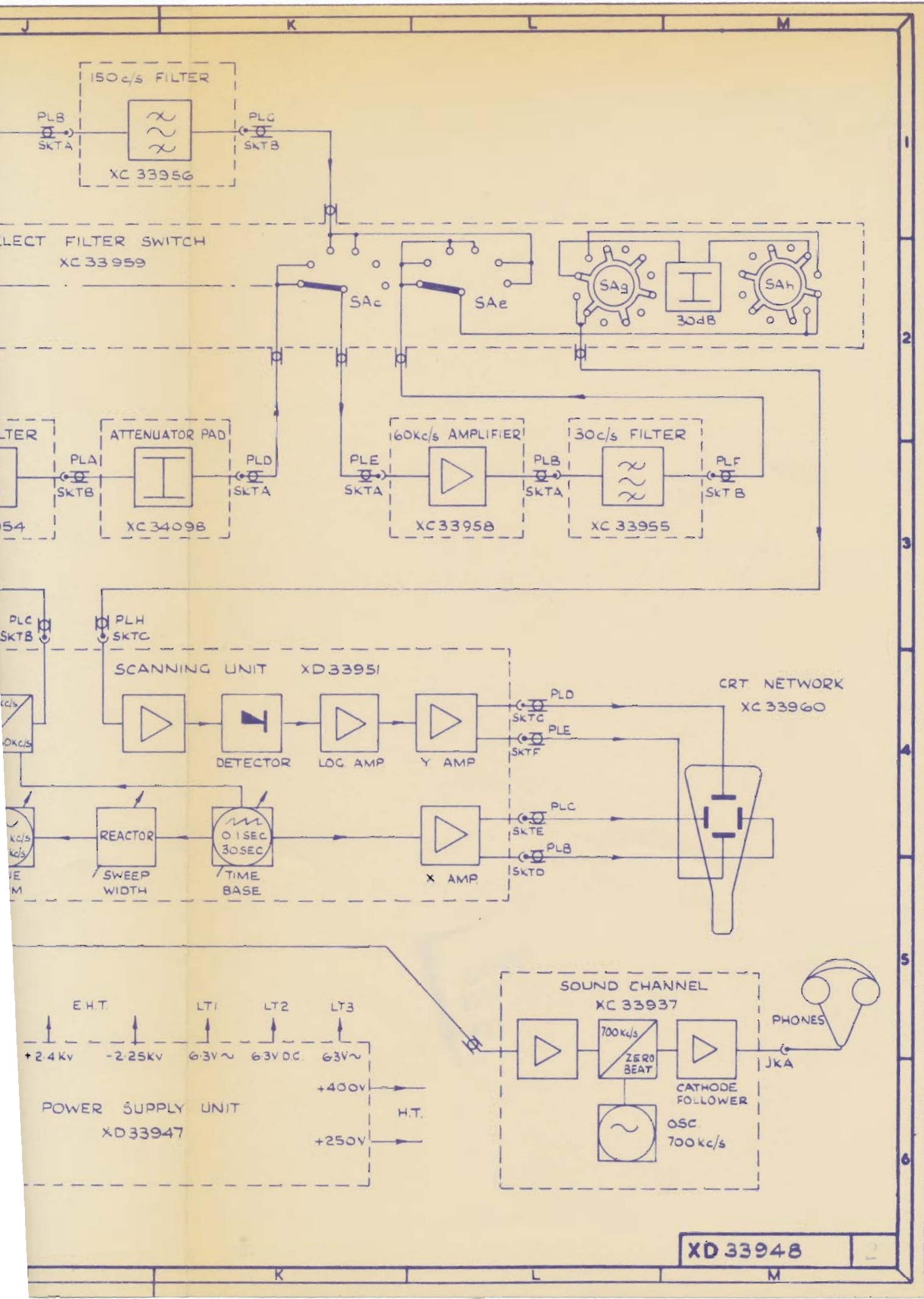
INPUT
100c/s
TO
3 Mc/s



R.F. INPUT
3 To 6 Mc/s
+50dB / 1 μ V
OR
6 To 27 Mc/s
+80dB / 1 μ V
OR
27 To 30 Mc/s
+90dB / 1 μ V







XD 33948