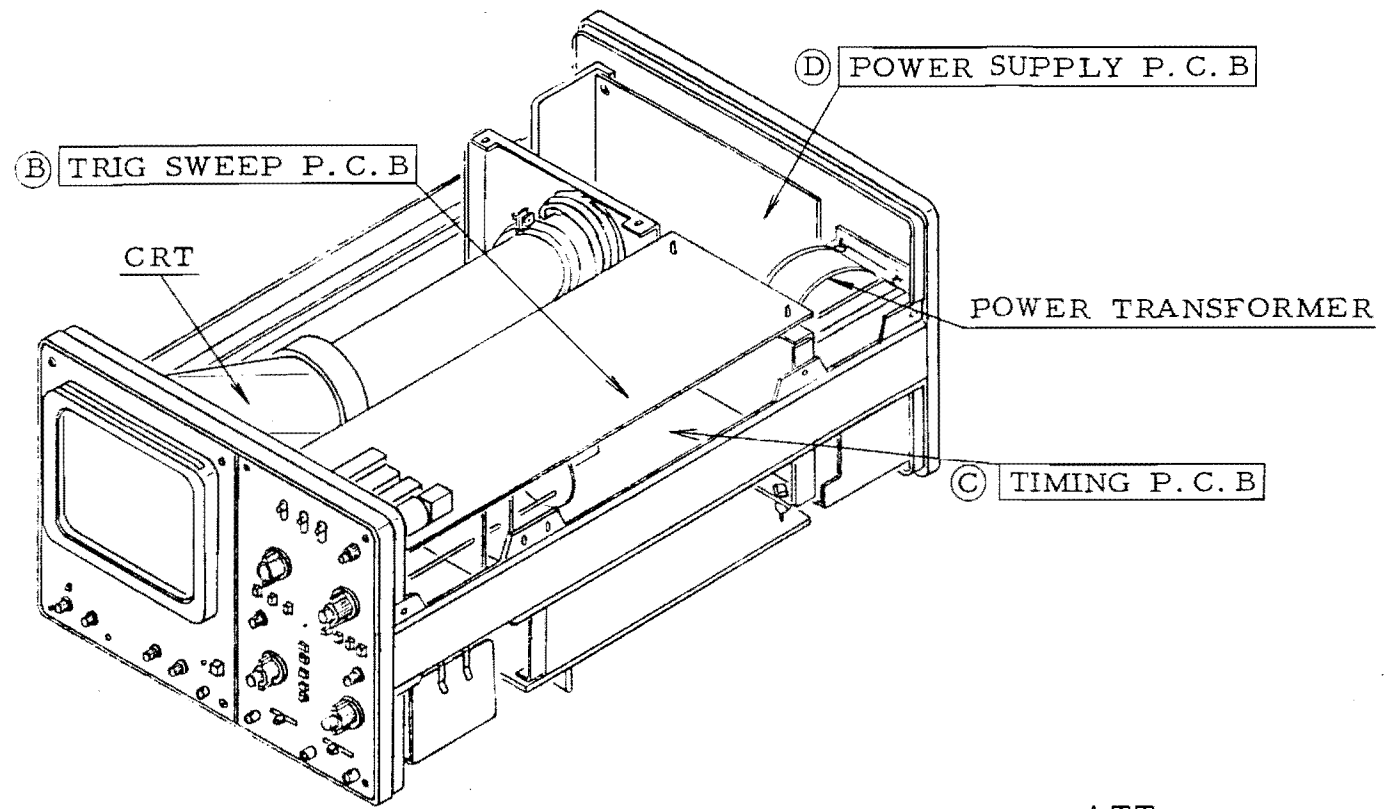
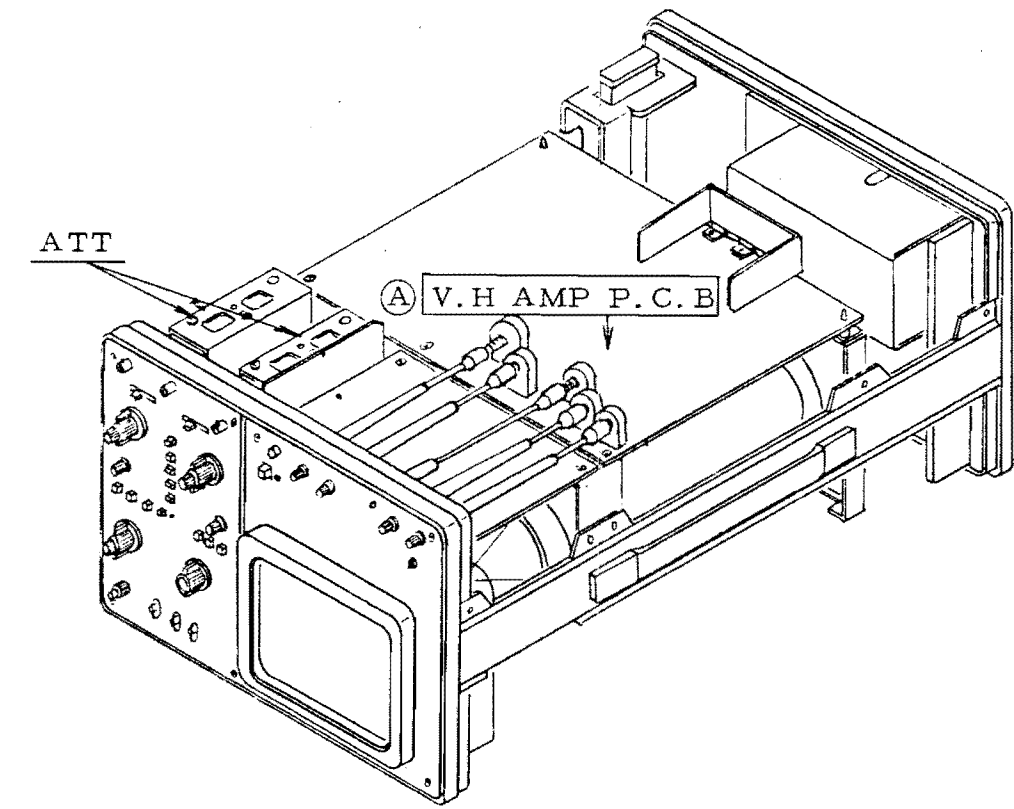


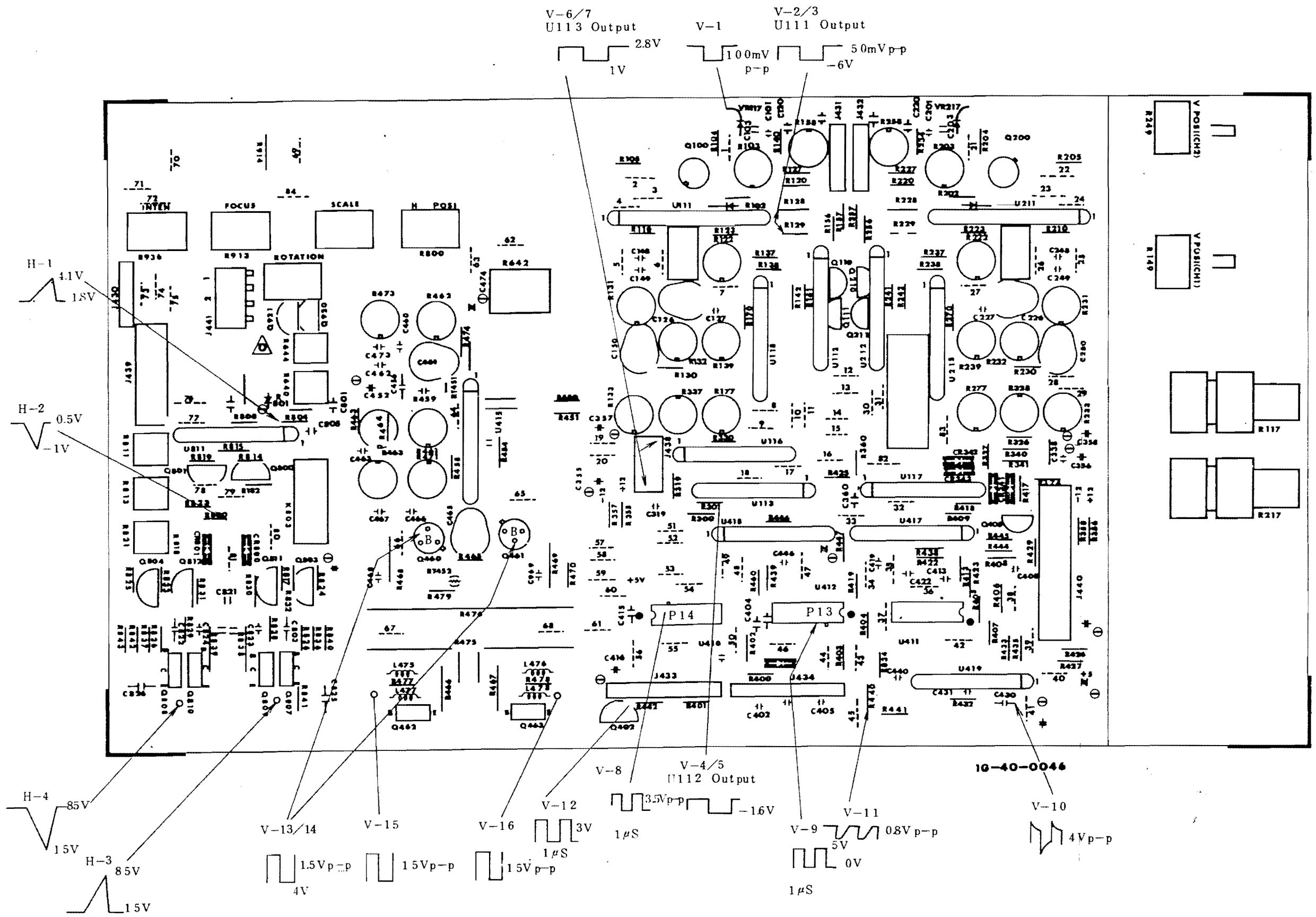
SECTION 5 LOCATION OF PRINTED CIRCUIT BOARD



Top view

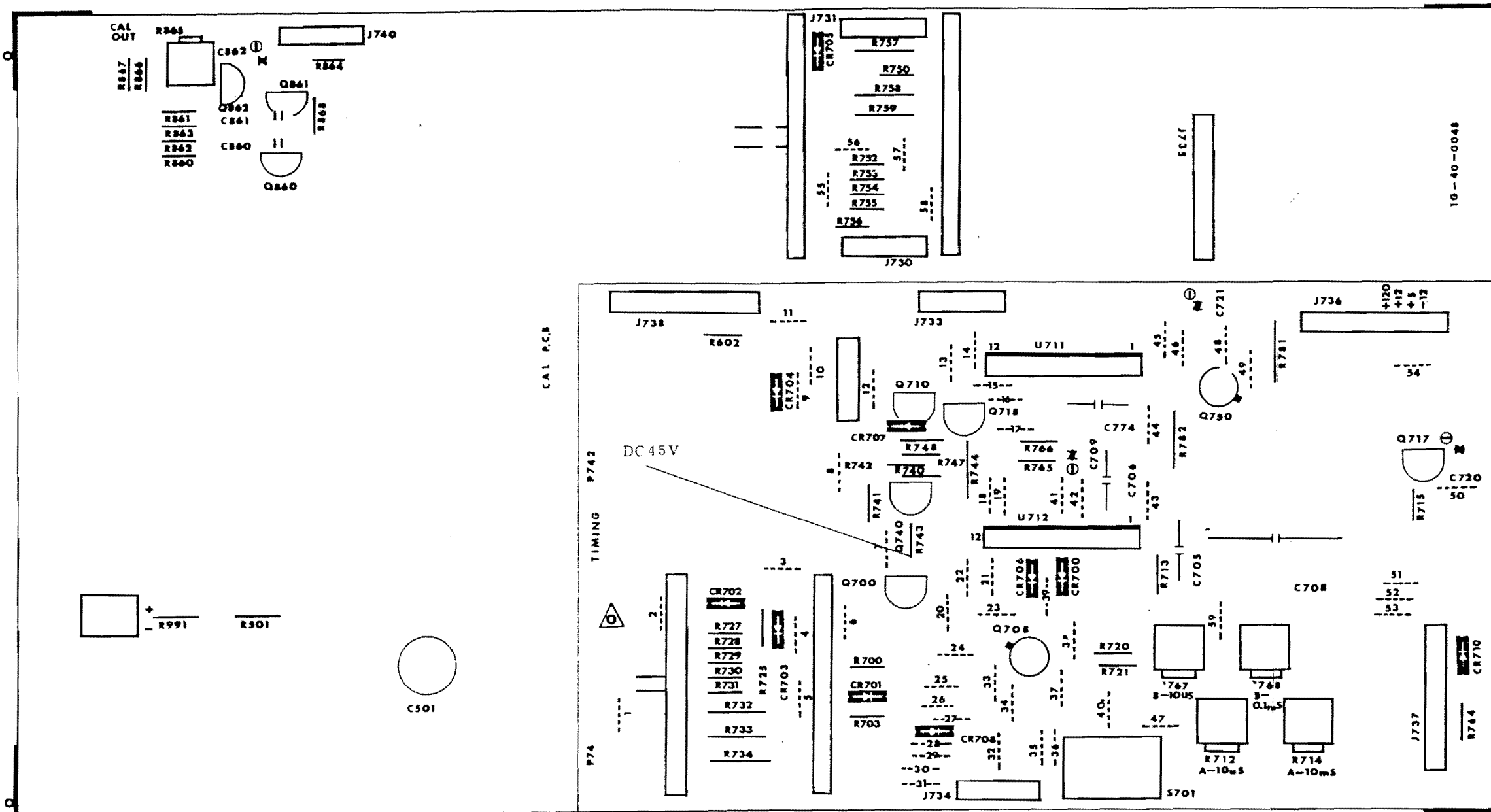


Bottom view

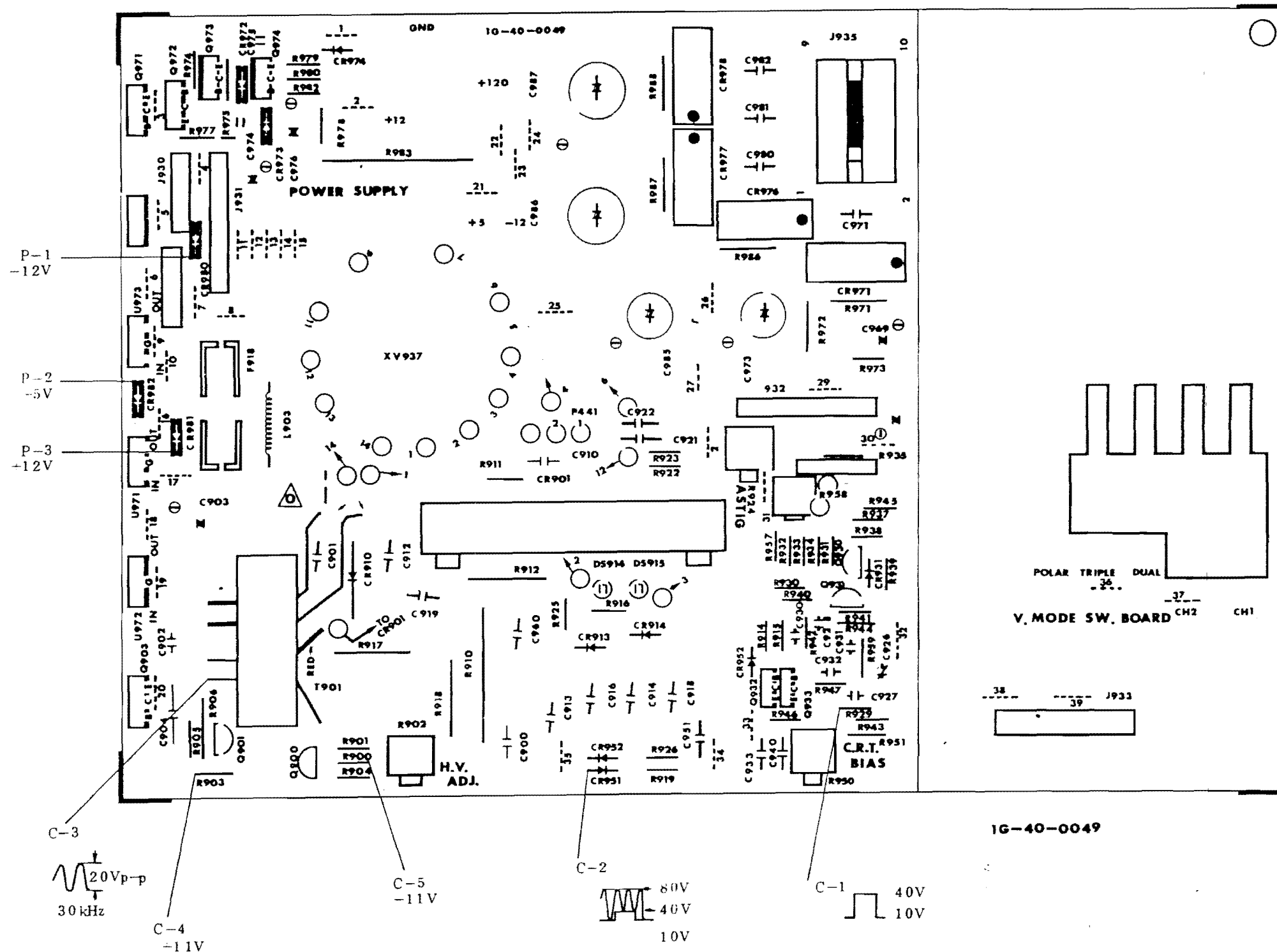


Ⓐ V.H AMP P.C.B





1G-40-0048



Ⓓ POWER SUPPLY P.C.B

